

Series HY-42

Non-Freeze Wall Hydrants with Backflow Preventer

Sizes: Inlet $\frac{3}{4}$ " (19mm) Female or 1" (24mm) Male I.P.S.

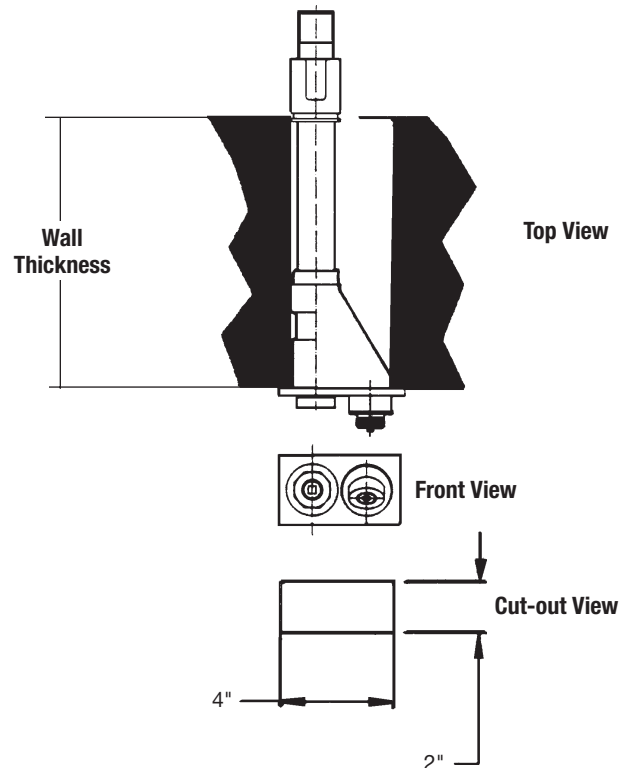


Installation Instructions

1. Cut an opening $2" \times 4"$ through the foundation wall or the floor joint band and insert the hydrant from the outside. (see figure)
2. Position the hydrant, as shown in figure, with the anti-siphon backflow preventer on the right hand side facing hydrant from outside.
3. Use brackets as required to secure the hydrant in place. (Field provide)
4. If inside connection is to be a sweat (soldered) connection, turn hydrant tee key counterclock-wise to the fully open position. Wrap hydrant side connection with a wet rag and or heat sink before applying heat.

To Assure Drainage:

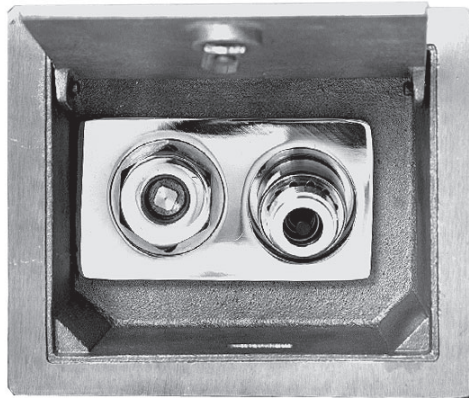
Detach hose from anti-siphon backflow preventer.



Series HY-42

Non-Freeze Wall Hydrants with Backflow Preventer and Mounting Box

Sizes: Inlet $\frac{3}{4}$ " (19mm) Female or 1" (24mm) Male I.P.S.



Series HY-42 Box (Front View)

Figure 1

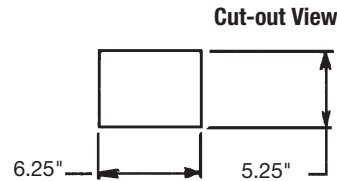
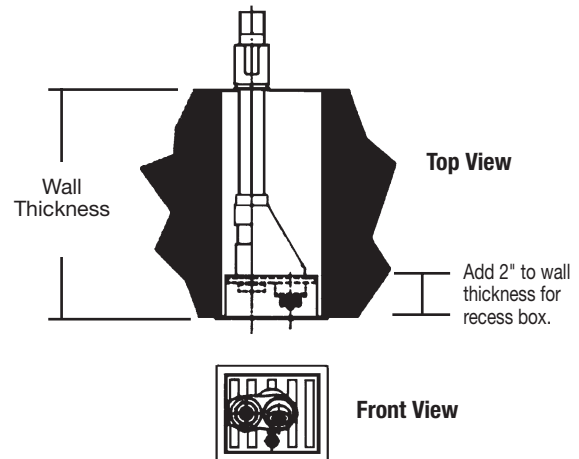


Figure 2



Installation Instruction

1. Cut an opening $6\frac{1}{4}$ " x $5\frac{1}{4}$ " through the foundation wall or the floor joint and insert the hydrant from the outside. (see Figure 1)
2. Position the hydrant, as shown in figure 2, with the anti-siphon backflow preventer on the right hand side facing hydrant from outside.
3. Secure the hydrant in place with 2° - 4° pitch.
4. If inside connection is to be a sweat (soldered) connection, turn hydrant tee key counterclock-wise to the fully open position. Wrap hydrant side connection with a wet rag and or heat sink before applying heat.

To Assure Drainage:

Detach hose from anti-siphon backflow preventer.

CALIFORNIA PROPOSITION 65 WARNING

WARNING: This product contains chemicals known to the State of California to cause cancer and birth defects or other reproductive harm. (California law requires this warning to be given to customers in the State of California.)

For more information: www.watts.com/prop65

Limited Warranty: Watts Regulator Co. (the "Company") warrants each product to be free from defects in material and workmanship under normal usage for a period of one year from the date of original shipment. In the event of such defects within the warranty period, the Company will, at its option, replace or recondition the product without charge.

THE WARRANTY SET FORTH HEREIN IS GIVEN EXPRESSLY AND IS THE ONLY WARRANTY GIVEN BY THE COMPANY WITH RESPECT TO THE PRODUCT. THE COMPANY MAKES NO OTHER WARRANTIES, EXPRESS OR IMPLIED. THE COMPANY HEREBY SPECIFICALLY DISCLAIMS ALL OTHER WARRANTIES, EXPRESS OR IMPLIED, INCLUDING BUT NOT LIMITED TO THE IMPLIED WARRANTIES OF MERCHANTABILITY AND FITNESS FOR A PARTICULAR PURPOSE.

The remedy described in the first paragraph of this warranty shall constitute the sole and exclusive remedy for breach of warranty, and the Company shall not be responsible for any incidental, special or consequential damages, including without limitation, lost profits or the cost of repairing or replacing other property which is damaged if this product does not work properly, other costs resulting from labor charges, delays, vandalism, negligence, fouling caused by foreign material, damage from adverse water conditions, chemical, or any other circumstances over which the Company has no control. This warranty shall be invalidated by any abuse, misuse, misapplication, improper installation or improper maintenance or alteration of the product.

Some States do not allow limitations on how long an implied warranty lasts, and some States do not allow the exclusion or limitation of incidental or consequential damages. Therefore the above limitations may not apply to you. This Limited Warranty gives you specific legal rights, and you may have other rights that vary from State to State. You should consult applicable state laws to determine your rights. **SO FAR AS IS CONSISTENT WITH APPLICABLE STATE LAW, ANY IMPLIED WARRANTIES THAT MAY NOT BE DISCLAIMED, INCLUDING THE IMPLIED WARRANTIES OF MERCHANTABILITY AND FITNESS FOR A PARTICULAR PURPOSE, ARE LIMITED IN DURATION TO ONE YEAR FROM THE DATE OF ORIGINAL SHIPMENT.**



Backflow Prevention Products



USA: 815 Chestnut St., No. Andover, MA 01845-6098; www.watts.com

Canada: 5435 North Service Rd., Burlington, ONT. L7L 5H7; www.wattscanada.ca