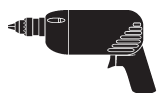


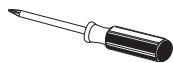
# Model 682003 Ad-on Shower

## Bath Faucet Type with 2 piece 0140494

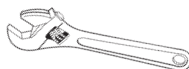
### Tools required for installation (not included):



Electric Drill



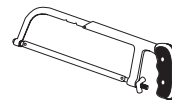
Screwdriver (Phillips Head)



Adjustable Wrench



Teflon® Tape



Hacksaw

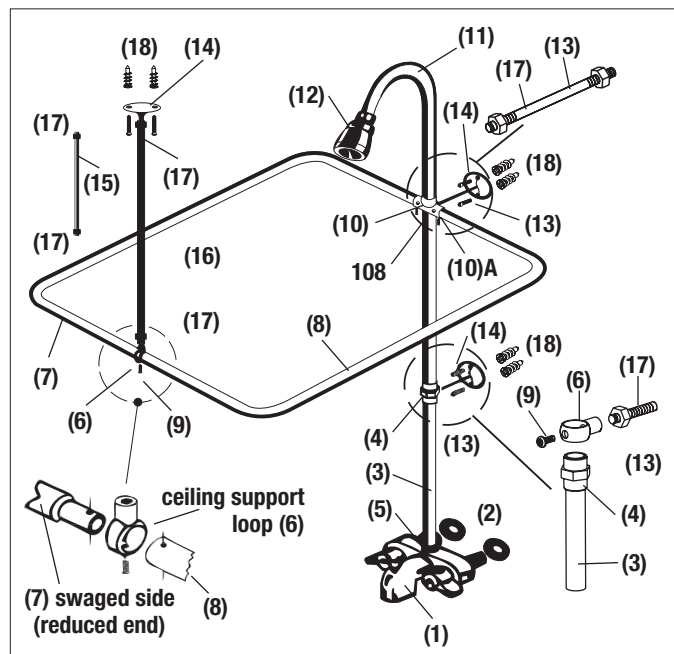


Plumber's Putty

### Installation Instructions:

1. Turn off water supply.
2. Remove existing faucet.
3. Apply a bead of plumber's putty to the back of the new faucet (1) and place it into position. Attach locknuts (2) to the threaded shanks.
4. Reconnect existing supply nosecone pieces into faucet shanks. Tighten coupling nuts securely.
5. Apply Teflon Tape to the threads on both ends of upper loop riser tube (11).
6. Slide straight end of upper, looped riser (11) through center hold of shower rod holder (10) of the shower frame assembly.
7. Apply Teflon Tape to top end of the lower straight section riser tube (3).
8. Thread pipe coupling (4) onto top end of the lower straight section riser (3) wrench tight.
9. Slide a support loop over the top end of the pipe coupling (4) and thread in support loop screw (9). With the screw oriented away from the wall.
10. Thread in straight end of upper, looped riser (11) into the pipe coupling (4). Tighten up pipe coupling (4).
11. Thread in 6" support rods (13) into side hole of cube portion of shower rod holder (10) and side hole of riser support tube (6).
12. Thread opposite end of the lower straight section riser (3) into faucet connector nut (5).
13. Put together shower frame assembly:
  - a) Slip support loop (6) over swaged side of one half frame (7).
  - b) Slide on smooth end of second half frame section (8) over swaged end. Align pre-drilled holes on the two halves. Move ceiling support loop (6) over the aligned holes and thread in support loop screw (9). Tighten screw.
  - c) Slide the other two smooth ends of the shower frame sections (7, 8) into rod holder assembly (10) with the threaded cube portion facing straight outward of the frame. Tighten the two setscrew (10A).
14. Thread Jam nuts (17) onto each end of the wall support rods (13).
15. Thread support flanges (14) onto the other end of the 6" riser support rods (13).
16. Thread Jam nuts (17) onto each end of the ceiling support rod (15).

**Note:** Thread in either the 12" ceiling support rod (15) or 24" ceiling support rod (16) as required, into the ceiling support loop (6).



17. Thread in the other ceiling support flange (14) of the other end of the ceiling support rod (15 or 16).

**Note:** Threaded portions of support rods may be cut off as required for proper length engagement.

18. Move up the complete shower frame assembly along the upper riser (11) until ceiling support flange (14) reaches the ceiling.
19. Fasten support flanges (14) to ceiling and wall using the anchor wood screws supplied with the flanges.

**Note:** When fastening flanges to drywall (plaster board) or hollow wall, use plastic anchors (18) provided. Install plastic anchors (18) into the wall before inserting the anchor screws. If installation requires that the support flanges be mounted to wall tile, it is recommended that the holes be pre-drilled with a masonry type drill bit and that Toggle Bolt Style Anchors (not supplied) are used.

20. Lock in large setscrew (10B) of the rod holder (10) to secure shower frame to upper riser (11).
21. Tighten all Jam nuts (17) on threaded rods to slip rings, support flanges and shower rod holder assembly.
22. Thread on shower head (12) onto curved end of upper looped riser (11) wrench tight.
23. Turn on water and check for leaks at all connections.

**CALIFORNIA PROPOSITION 65 WARNING**

**WARNING:** This product contains chemicals known to the State of California to cause cancer and birth defects or other reproductive harm. (California law requires this warning to be given to customers in the State of California.)

**For more information:** [www.watts.com/prop65](http://www.watts.com/prop65)

**Limited Warranty:** Watts Regulator Co. (the "Company") warrants each product to be free from defects in material and workmanship under normal usage for a period of one year from the date of original shipment. In the event of such defects within the warranty period, the Company will, at its option, replace or recondition the product without charge.

**THE WARRANTY SET FORTH HEREIN IS GIVEN EXPRESSLY AND IS THE ONLY WARRANTY GIVEN BY THE COMPANY WITH RESPECT TO THE PRODUCT. THE COMPANY MAKES NO OTHER WARRANTIES, EXPRESS OR IMPLIED. THE COMPANY HEREBY SPECIFICALLY DISCLAIMS ALL OTHER WARRANTIES, EXPRESS OR IMPLIED, INCLUDING BUT NOT LIMITED TO THE IMPLIED WARRANTIES OF MERCHANTABILITY AND FITNESS FOR A PARTICULAR PURPOSE.**

The remedy described in the first paragraph of this warranty shall constitute the sole and exclusive remedy for breach of warranty, and the Company shall not be responsible for any incidental, special or consequential damages, including without limitation, lost profits or the cost of repairing or replacing other property which is damaged if this product does not work properly, other costs resulting from labor charges, delays, vandalism, negligence, fouling caused by foreign material, damage from adverse water conditions, chemical, or any other circumstances over which the Company has no control. This warranty shall be invalidated by any abuse, misuse, misapplication, improper installation or improper maintenance or alteration of the product.

Some States do not allow limitations on how long an implied warranty lasts, and some States do not allow the exclusion or limitation of incidental or consequential damages. Therefore the above limitations may not apply to you. This Limited Warranty gives you specific legal rights, and you may have other rights that vary from State to State. You should consult applicable state laws to determine your rights. **SO FAR AS IS CONSISTENT WITH APPLICABLE STATE LAW, ANY IMPLIED WARRANTIES THAT MAY NOT BE DISCLAIMED, INCLUDING THE IMPLIED WARRANTIES OF MERCHANTABILITY AND FITNESS FOR A PARTICULAR PURPOSE, ARE LIMITED IN DURATION TO ONE YEAR FROM THE DATE OF ORIGINAL SHIPMENT.**



A Watts Water Technologies Company



**USA:** No. Andover, MA • Tel. (978) 688-1811 • Fax: (978) 794-1848 • [www.watts.com](http://www.watts.com)  
**Canada:** Burlington, ONT. (905) 332-4090 • Fax: (905) 332-7068 • [www.wattscanada.ca](http://www.wattscanada.ca)