

# Schedule 40 Bath Drain

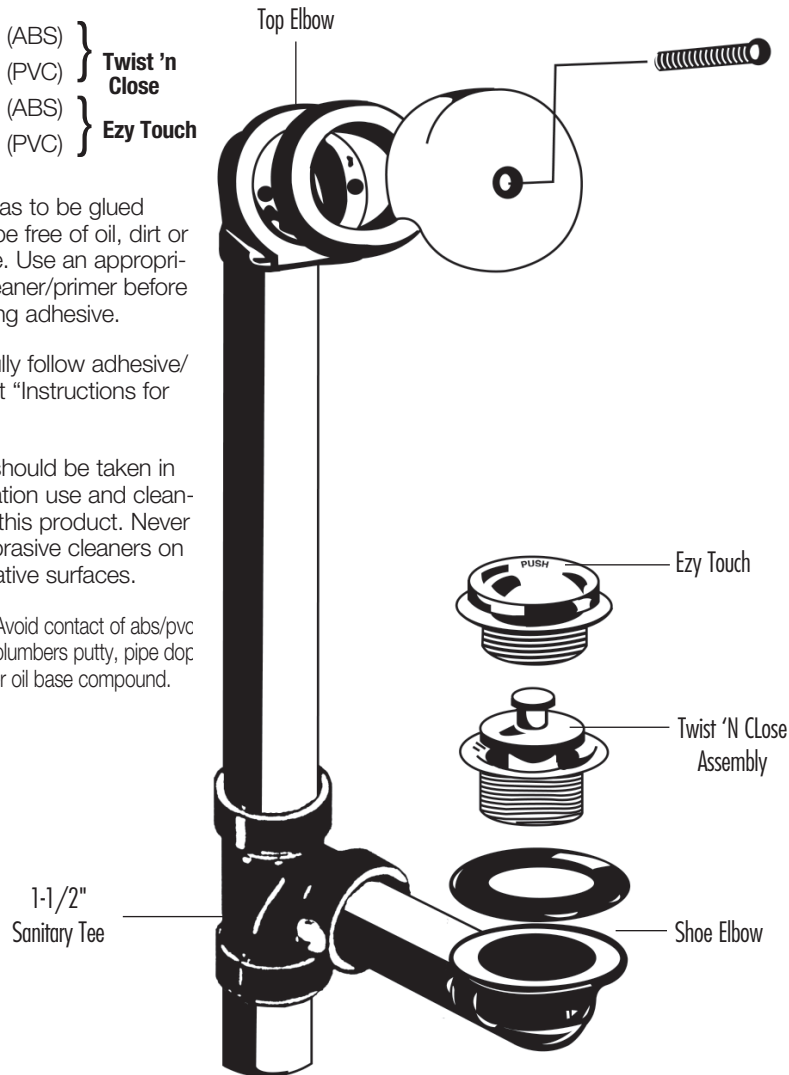
## Installation Instructions

### For Model Numbers:

- |               |                         |
|---------------|-------------------------|
| 4935333 (ABS) | } <b>Twist 'n Close</b> |
| 4935666 (PVC) |                         |
| 4933333 (ABS) | } <b>Ezy Touch</b>      |
| 4933666 (PVC) |                         |

1. All Areas to be glued must be free of oil, dirt or grease. Use an appropriate cleaner/primer before applying adhesive.
2. Carefully follow adhesive/solvent "Instructions for use."
3. Care should be taken in installation use and cleaning of this product. Never use abrasive cleaners on decorative surfaces.

**Warning:** Avoid contact of abs/pvc parts with plumbers putty, pipe dop or any other oil base compound.



**CALIFORNIA PROPOSITION 65 WARNING**  
**WARNING:** This product contains chemicals known to the State of California to cause cancer and birth defects or other reproductive harm. (California law requires this warning to be given to customers in the State of California.)  
 For more information: [www.watts.com/prop65](http://www.watts.com/prop65)

**Limited Warranty:** Watts Regulator Co. (the "Company") warrants each product to be free from defects in material and workmanship under normal usage for a period of one year from the date of original shipment. In the event of such defects within the warranty period, the Company will, at its option, replace or recondition the product without charge.

**THE WARRANTY SET FORTH HEREIN IS GIVEN EXPRESSLY AND IS THE ONLY WARRANTY GIVEN BY THE COMPANY WITH RESPECT TO THE PRODUCT. THE COMPANY MAKES NO OTHER WARRANTIES, EXPRESS OR IMPLIED. THE COMPANY HEREBY SPECIFICALLY DISCLAIMS ALL OTHER WARRANTIES, EXPRESS OR IMPLIED, INCLUDING BUT NOT LIMITED TO THE IMPLIED WARRANTIES OF MERCHANTABILITY AND FITNESS FOR A PARTICULAR PURPOSE.**

The remedy described in the first paragraph of this warranty shall constitute the sole and exclusive remedy for breach of warranty, and the Company shall not be responsible for any incidental, special or consequential damages, including without limitation, lost profits or the cost of repairing or replacing other property which is damaged if this product does not work properly, other costs resulting from labor charges, delays, vandalism, negligence, fouling caused by foreign material, damage from adverse water conditions, chemical, or any other circumstances over which the Company has no control. This warranty shall be invalidated by any abuse, misuse, misapplication, improper installation or improper maintenance or alteration of the product.

Some States do not allow limitations on how long an implied warranty lasts, and some States do not allow the exclusion or limitation of incidental or consequential damages. Therefore the above limitations may not apply to you. This Limited Warranty gives you specific legal rights, and you may have other rights that vary from State to State. You should consult applicable state laws to determine your rights. **SO FAR AS IS CONSISTENT WITH APPLICABLE STATE LAW, ANY IMPLIED WARRANTIES THAT MAY NOT BE DISCLAIMED, INCLUDING THE IMPLIED WARRANTIES OF MERCHANTABILITY AND FITNESS FOR A PARTICULAR PURPOSE, ARE LIMITED IN DURATION TO ONE YEAR FROM THE DATE OF ORIGINAL SHIPMENT.**

**WATTS®**

**ISO 9001-2000  
CERTIFIED**

Brass & Tubular Products

USA: 815 Chestnut St., No. Andover, MA 01845-6098; [www.watts.com](http://www.watts.com)

Canada: 5435 North Service Rd., Burlington, ONT. L7L 5H7; [www.wattscanada.ca](http://www.wattscanada.ca)

**WATTS®**

# Schedule 40 Bath Drain

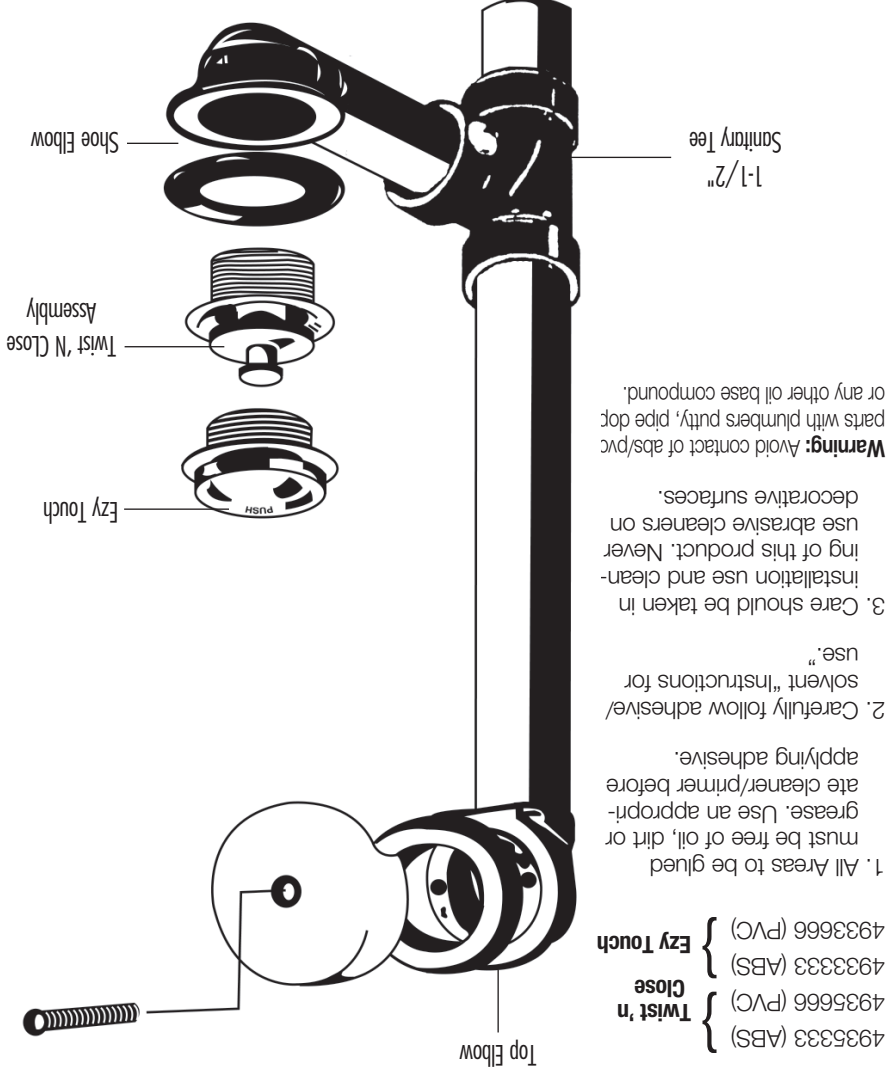
## Installation Instructions

For Model Numbers:

- |               |                  |
|---------------|------------------|
| 4935333 (ABS) | } Twist 'n Close |
| 4935666 (PVC) |                  |
| 4933333 (ABS) | } Ezy Touch      |
| 4933666 (PVC) |                  |

1. All Areas to be glued must be free of oil, dirt or grease. Use an appropriate cleaner/primer before applying adhesive.
2. Carefully follow adhesive/solvent "Instructions for use."
3. Care should be taken in installation use and cleaning of this product. Never use abrasive cleaners on decorative surfaces.

**Warning:** Avoid contact of abs/pvc parts with plumbers putty, pipe dop or any other oil base compound.



# Schedule 40 Bath Drain

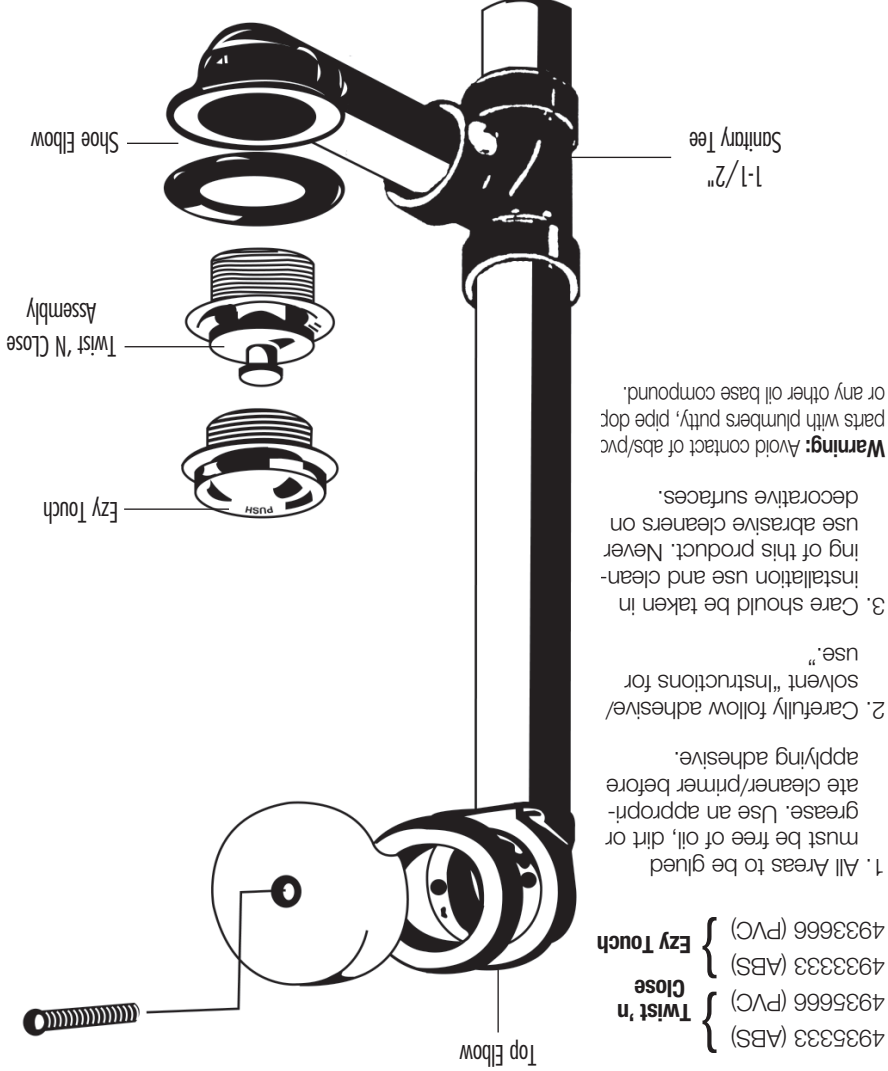
## Installation Instructions

For Model Numbers:

- |               |                  |
|---------------|------------------|
| 4935333 (ABS) | } Twist 'n Close |
| 4935666 (PVC) |                  |
| 4933333 (ABS) | } Ezy Touch      |
| 4933666 (PVC) |                  |

1. All Areas to be glued must be free of oil, dirt or grease. Use an appropriate cleaner/primer before applying adhesive.
2. Carefully follow adhesive/solvent "Instructions for use."
3. Care should be taken in installation use and cleaning of this product. Never use abrasive cleaners on decorative surfaces.

**Warning:** Avoid contact of abs/pvc parts with plumbers putty, pipe dop or any other oil base compound.



Brass & Tubular Products

USA: 815 Chestnut St., No. Andover, MA 01845-6098; www.watts.com

Canada: 5435 North Service Rd., Burlington, ONT, L7L 5H7; www.wattscanada.ca

EDP# 1916049

IS-SCH40BD 0904

© Watts, 2009

**Limited Warranty:** Watts Regulator Co. (the "Company") warrants each product to be free from defects in material and workmanship under normal usage for a period of one year from the date of original shipment. In the event of such defects within the warranty period, the Company will, at its option, replace or recondition the product without charge. **THE WARRANTY SET FORTH HEREIN IS GIVEN EXPRESSLY AND IS THE ONLY WARRANTY GIVEN BY THE COMPANY WITH RESPECT TO THE PRODUCT. THE COMPANY MAKES NO OTHER WARRANTIES, EXPRESS OR IMPLIED. THE COMPANY HEREBY SPECIFICALLY DISCLAIMS ALL OTHER WARRANTIES, EXPRESS OR IMPLIED, INCLUDING BUT NOT LIMITED TO THE IMPLIED WARRANTIES OF MERCHANTABILITY AND FITNESS FOR A PARTICULAR PURPOSE.** The remedy described in the first paragraph of this warranty shall constitute the sole and exclusive remedy for breach of warranty, and the Company shall not be responsible for any incidental, special or consequential damages, including without limitation, lost profits or the cost of repairing or replacing other property which is damaged if this product does not work properly, other costs resulting from labor charges, delays, vandalism, negligence, fouling caused by foreign material, damage from adverse water conditions, chemical, or any other circumstances over which the Company has no control. This warranty shall be invalidated by any abuse, misuse, misapplication, improper installation or improper maintenance or alteration of the product. Some States do not allow limitations on how long an implied warranty lasts, and some States do not allow the exclusion or limitation of incidental or consequential damages. Therefore the above limitations may not apply to you. This Limited Warranty gives you specific legal rights, and you may have other rights that vary from State to State. You should consult applicable state laws to determine your rights. **SO FAR AS IS CONSISTENT WITH APPLICABLE STATE LAW, ANY IMPLIED WARRANTIES THAT MAY NOT BE DISCLAIMED, INCLUDING THE IMPLIED WARRANTIES OF MERCHANTABILITY AND FITNESS FOR A PARTICULAR PURPOSE, ARE LIMITED IN DURATION TO ONE YEAR FROM THE DATE OF ORIGINAL SHIPMENT.**

**CALIFORNIA PROPOSITION 65 WARNING**  
**WARNING:** This product contains chemicals known to the State of California to cause cancer and birth defects or other reproductive harm. (California law requires this warning to be given to customers in the State of California.)  
 For more information: [www.watts.com/prop65](http://www.watts.com/prop65)