

IS-G1070_GP1070

Series G1070 and GP1070 Series G1070 y GP1070 Series G1070 et GP1070

LavSafe™ Thermostatic Faucet
with Gooseneck Spout

Grito thermostático LavSafe™

Robinet thermostatique

LavSafe™ avec col de cygne

Instructions de instalación

Instructions d'installation



IS-G1070_GP1070 EDP# 1916202 1314 2013 Watts

USA: 815 Chestnut St., No. Andover, MA 01845-6098; www.watts.com
Canada: 5435 North Service Rd., Burlington, ONT. L7L 5H7; www.wattscanada.ca



Some States do not allow limitations on how long an implied warranty lasts, and some States do not allow the exclusion or limitation of incidental or consequential damages. Therefore the above limitations may not apply to you. This Limited Warranty gives you specific legal rights, and you may have other rights that vary from State to State. You should consult applicable state laws to determine your rights. SO FAR AS IS CONSISTENT WITH APPLICABLE STATE LAW, ANY IMPLIED WARRANTIES THAT MAY BE DISCLAIMED, INCLUDING THE IMPLIED WARRANTIES OF MERCHANTABILITY AND FITNESS FOR A PARTICULAR PURPOSE, ARE LIMITED IN DURATION TO ONE YEAR FROM THE DATE OF ORIGINAL SHIPMENT.

The remedy described in the first paragraph of this warranty shall constitute the sole and exclusive remedy for breach of warranty, and the Company shall not be responsible for any incidental, special or consequential damages, including without limitation, lost profits or the cost of repairing or replacing other property which is damaged if this product does not work properly, other costs resulting from labor charges, delays, vandalism, negligence, fouling caused by foreign material, damage from adverse water conditions, chemical, or any other circumstances over which the Company has no control. This warranty shall be invalidated by any abuse, misuse, misapplication, improper installation or improper maintenance or alteration of the product.

WARRANTIES OF MERCHANTABILITY AND FITNESS FOR A PARTICULAR PURPOSE. THE COMPANY MAKES NO OTHER WARRANTIES, EXPRESS OR IMPLIED. THE COMPANY HEREBY SPECIFICALLY DISCLAIMS ALL WARRANTIES GIVEN BY THE COMPANY WITH RESPECT TO THE PRODUCT. THE COMPANY MAKES NO OTHER WARRANTY SET FORTH HEREIN IS GIVEN EXPRESSLY AND IS THE ONLY WARRANTY OR RECONDITION THE PRODUCT WITHOUT CHARGE.

Limited Warranty: Watts Regulator Co. (the "Company") warrants each product to be free from defects in material and workmanship under normal usage for a period of one year from the date of original shipment. In the event of such defects within the warranty period, the Company will, at its option, replace

WARNING: This product contains chemicals known to the State of California to cause cancer and birth defects or other reproductive harm.

For more information: www.watts.com/prop65

Specifications

Connections	3/8" compression inlets with checks
Maximum Operating Pressure	125psi (861 kPa)
Maximum Hot Water Temperature	194°F (90°C)
Minimum Hot Water Supply Temp.	5°F (3°C) Above Set-Point
Temperature Adjustment Range	60 - 120°F (15 - 49°C)
Minimum Flow	0.5 gpm (2.2 lpm)
Cold Water Inlet Temperature Range	39 - 80°F (4 - 27°C)
Hot Water Inlet Temperature Range	120 - 180°F (49 - 82°C)
Listing	ASSE 1070, IAPMO cUPC
Approval Standards	ASSE 1070, CSA B125.3, NSF 61 Section 9 Annex G

Installation Instructions

1. Flush all piping thoroughly before installing.
2. The installation and field adjustment of LavSafe™ faucet is the responsibility of the installer and shall be carried out in accordance with the following steps.
3. Attach threaded rod to faucet body.

For 3 holes 8" centers (Series GP1070)

1. Place gasket and threaded rod under the base plate. Place base plate over the hole.
2. Place washer on the threaded rod and tighten with the wing nut. Faucet control should be on the right.
3. Install washer on the base of the gooseneck spout and secure it with the shank nut on the center hole.
4. Position faucet body with O-ring on the base plate.
5. Install supply tubes with check valves to hot and cold inlets.
Inlets are marked "H" and "C" underneath the faucet body. Install faucet outlet tube to body. Make sure O-rings are in place.

⚠ WARNING

SUPPLY TUBES—HAND TIGHTEN ONLY! Over tightening, using lubricants or exposure to corrosive materials can damage supply tube threads and cause failure, leaking, or flood and property damage.

6. Install washer on the threaded rod and tighten with mounting nut.
7. Connect gooseneck spout to faucet body using flexible supply.
8. Connect supply tubes to water supplies.

IS-G1070_GP1070 EDP# 1916202 1314 2013 Watts

USA: 815 Chestnut St., No. Andover, MA 01845-6098; www.watts.com
Canada: 5435 North Service Rd., Burlington, ONT. L7L 5H7; www.wattscanada.ca



Algunos Estados no permiten limitaciones en la duración de una garantía implícita o la exclusión o limitación de datos incidentales o indirectos. Por lo tanto, es posible que las limitaciones anteriores no correspondan en su caso. Esta garantía limitada le da derechos legales específicos; usted podría tener también otros derechos que varían según el Estado. Usted debe consultar las leyes estatales aplicables para determinar sus derechos. EN EN LA MEDIDA EN QUE SEA CONGRUENTE CON LAS LEYES ESTATALES APLICABLES, CUALQUIER GARANTÍA IMPLÍCITA QUE NO SEA RECHAZADA, INCLUIDAS LAS GARANTÍAS IMPLÍCITAS DE APTITUD PARA LA COMERCIALIZACIÓN E IDONEIDAD PARA UN PROPÓSITO EN PARTICULAR, SE LIMITA EN SU DURACIÓN A UN AÑO A PARTIR DE LA FECHA DEL ENVÍO ORIGINAL.

The solution described in the first paragraph of this warranty shall constitute the sole and exclusive remedy for breach of warranty, and the Company shall not be responsible for any incidental, special or consequential damages, including without limitation, lost profits or the cost of repairing or replacing other property which is damaged if this product does not work properly, other costs resulting from labor charges, delays, vandalism, negligence, fouling caused by foreign material, damage from adverse water conditions, chemical, or any other circumstances over which the Company has no control. This warranty shall be invalidated by any abuse, misuse, misapplication, improper installation or improper maintenance or alteration of the product.

WARRANTIES OF MERCHANTABILITY AND FITNESS FOR A PARTICULAR PURPOSE. THE COMPANY MAKES NO OTHER WARRANTIES, EXPRESS OR IMPLIED. THE COMPANY HEREBY SPECIFICALLY DISCLAIMS ALL WARRANTIES GIVEN BY THE COMPANY WITH RESPECT TO THE PRODUCT. THE COMPANY MAKES NO OTHER WARRANTY SET FORTH HEREIN IS GIVEN EXPRESSLY AND IS THE ONLY WARRANTY OR RECONDITION THE PRODUCT WITHOUT CHARGE.

Limited Warranty: Watts Regulator Co. (an adelante, "la Compañía") garantiza, por un periodo de un año a partir de la fecha de envío original, que sus productos están libres de defectos en materiales y mano de obra bajo condiciones de uso normal. En caso de que se encuentren tales defectos dentro del periodo de garantía, la

ADVERTENCIA: Este producto contiene sustancias químicas de cáncer y malformaciones u otros daños reproductivos.

Para más información: www.watts.com/prop65

Installation Instructions (cont.)

9. With the handle in "off" position, turn on water supplies and check for leaks.
10. Remove aerator and turn faucet to hot and cold water position to flush the line thoroughly.
Replace aerator.

For two holes (Series G1070)

1. Install supply tubes with check valves to hot and cold inlets. Inlets are marked "H" and "C" underneath the faucet body. Install faucet outlet tube to body. Make sure O-rings are in place.

⚠ WARNING

SUPPLY TUBES—HAND TIGHTEN ONLY! Over tightening, using lubricants or exposure to corrosive materials can damage supply tube threads and cause failure, leaking, or flood and property damage.

2. Install washer on the base of the gooseneck spout and secure it with the shank nut on the sink.
3. Position faucet body with O-ring on the sink.
4. Install washer on the threaded rod and tighten with mounting nut.
5. Connect gooseneck spout to faucet body using flexible supply.
6. Connect supply tubes to water supplies.
7. With the handle in "off" position, turn on water supplies and check for leaks.
8. Remove aerator and turn faucet to hot and cold water position to flush the line thoroughly.
Replace aerator.

Temperature Adjustment

Maximum temperature setting adjustment must be set on the job to no greater than 105°F (41°C).

1. Remove handle by unscrewing set screw with allen wrench provided. Remove shroud.
2. Loosen two high temperature limit stop screws.
3. Replace handle and rotate handle clockwise to desired outlet temperature.
4. Remove handle and slide high temperature limit stop on inner bonnet ring, sliding it counterclockwise until it contacts cartridge lever.

⚠ WARNING Do not exceed temperature above 105°F (41°C).

IS-G1070_GP1070 EDP# 1916202 1314 2013 Watts

USA: 815 Chestnut St., No. Andover, MA 01845-6098; www.watts.com
Canada: 5435 North Service Rd., Burlington, ONT. L7L 5H7; www.wattscanada.ca



Certains États n'autorisent pas les limitations de durée d'une garantie tacite ou l'exclusion ou la restriction de données incidentelles ou indirectes. Les limitations susmentionnées peuvent donc ne pas s'appliquer à vous. Cette garantie limitée vous donne des droits spécifiques et il se peut que vous ayez aussi d'autres droits qui varient d'un État à l'autre. Veuillez vous référer aux lois applicables de l'État pour déterminer vos droits en la matière. LA MESURE PERMISE PAR LA LOI APPLICABLE DE L'ÉTAT, TOUTES LES GARANTIES TACITES NE POUVANT PAS ÊTRE REJETÉES, Y COMPRIS LES GARANTIES IMPLÍCITAS DE QUALITÉ MARCHANDE ET D'ADAPTATION À UN BUT PARTICULIER, SONT LIMITÉES QUANT À LEUR DURÉE À UN AN À COMPTER DE LA DATE D'ÉDITION D'ORIGINE.

The recourse described in the first paragraph of this warranty shall constitute the sole and exclusive remedy for breach of warranty, and the Company shall not be responsible for any incidental, special or consequential damages, including without limitation, lost profits or the cost of repairing or replacing other property which is damaged if this product does not work properly, other costs resulting from labor charges, delays, vandalism, negligence, fouling caused by foreign material, damage from adverse water conditions, chemical, or any other circumstances over which the Company has no control. This warranty shall be invalidated by any abuse, misuse, misapplication, improper installation or improper maintenance or alteration of the product.

WARRANTIES OF MERCHANTABILITY AND FITNESS FOR A PARTICULAR PURPOSE. THE COMPANY MAKES NO OTHER WARRANTIES, EXPRESS OR IMPLIED. THE COMPANY HEREBY SPECIFICALLY DISCLAIMS ALL WARRANTIES GIVEN BY THE COMPANY WITH RESPECT TO THE PRODUCT. THE COMPANY MAKES NO OTHER WARRANTY SET FORTH HEREIN IS GIVEN EXPRESSLY AND IS THE ONLY WARRANTY OR RECONDITION THE PRODUCT WITHOUT CHARGE.

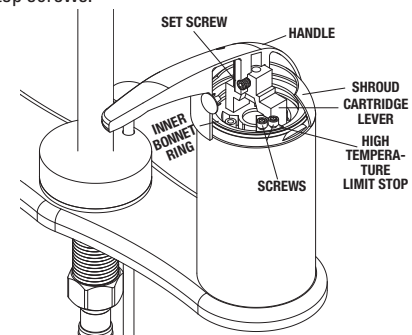
Limited Warranty: Watts Regulator Co. (the "Company") warrants each product to be free from defects in material and workmanship under normal usage for a period of one year from the date of original shipment. In the event of such defects within the warranty period, the Company will, at its option, replace

AVERTISSEMENT: Ce produit contient des produits chimiques reconnus par l'État de Californie comme étant cancérigènes et pouvant provoquer des anomalies congénitales ou affecter la capacité de reproduction.

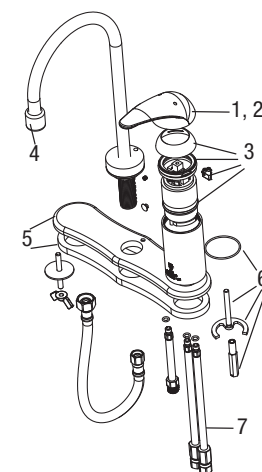
Pour plus d'informations: www.watts.com/prop65

Temperature Adjustment (cont.)

5. Tighten high temperature limit stop screws.
6. Install shroud and handle.
7. Turn handle to maximum hot position and verify temperature setting.



Part List



Index	Description
1	Handle Kit 4"
2	Handle Kit 6"
3	Cartridge Kit
4	Aerator 2.0 gpm
5	Base Plate
6	Faucet Mounting Hardware
7	Supply Tubes

Troubleshooting

Faucet Drip

Remove cartridge and clean sealing areas on cartridge and the faucet body. Reassemble and reset outlet temperature (refer to temperature adjustment section)

Outlet temperature is too hot or too cold

Check temperature limit stop setting (refer to temperature adjustment section)

The flow of water is insufficient or completely shutoff

Check that supply line valves are open. Remove aerator and clean.

Min. Flow to ASSE 1070	C _v	10psi (69 kPa)	20psi (138 kPa)	30psi (207 kPa)	45psi (310 kPa)	60psi (414 kPa)
0.5 gpm 1.89 lpm	0.345	1.08 gpm 4.09 lpm	1.53 gpm 5.79 lpm	1.88 gpm 7.12 lpm	2.30 gpm 8.71 lpm	2.60 gpm 9.48 lpm

*Less aerator & outlet temperature of 105°F (41°C)

