

Installation, Operation and Maintenance Manual

Series PWBWGAC, PWBWMZ, PWBWCAL

Filter Systems

PURE WATER

Warning

You are required to thoroughly read all installation instructions and product safety information before beginning the installation of this product. **FAILURE TO COMPLY WITH PROPER INSTALLATION AND MAINTENANCE INSTRUCTIONS COULD RESULT IN PROPERTY DAMAGE, PERSONAL INJURY AND/OR DEATH.** Watts is not responsible for damages resulting from improper installation and/or maintenance.

Do not use with water that is microbiologically unsafe or of unknown quality without adequate disinfection before or after the system.

Local building or plumbing codes may require modifications to the information provided. You are required to consult the local building and plumbing codes prior to installation. If this information is not consistent with local building or plumbing codes, the local codes should be followed.

Save manual for future reference.

Refer to enclosed for operating parameters to ensure proper use with your water supply.



PWBWGAC
PWBWMZ
PWBWCAL

Table of Contents	Pages
Important Safety Information – Read All	2
Instructions Before Using	2
Filter Anatomy	3
Specifications	4
Feedwater Parameters	4
Power	4
Installation Considerations	4
Drain Flow Rates	4
Setup	5
Installation	6
Controller	7
Filter Operation	7
Replenishing the Calcite Filter Media	7
Troubleshooting	7
Limited Warranty	8

Important Safety Information – Read All



Caution: Read and follow the information in this manual to minimize the risk of electric shock or personal injury.

Important: If you are unsure about installing your Watts water filter, contact a Watts representative or consult a professional plumber.

Important: This system must be installed in compliance with applicable state province and local codes, law, and regulations.

READ Instructions Before Using

- After reading these instructions completely, obtain all the materials and tools needed for installation.

NOTE: Failure to install the system correctly voids the warranty.

- Perform installation according to state, province and local plumbing codes.

Use only lead-free solder and flux for sweat-solder connections, as required by state, province and federal codes.

- Handle all components of the system with care. Do not drop, drag or turn components upside down.
- Be sure the floor under the water filter system is clean, level and strong enough to support the unit.
- The system uses 24 volt-60Hz electrical power. Always use the transformer supplied.

Plug transformer into an indoor 120 VAC, grounded outlet.

Properly ground the system to conform with all codes and ordinances.

- Install the system in a protected area. Be sure electric outlet and transformer do not come in contact with water. For more information on where to install the filter see the Installation Considerations section of this manual.

Do not attempt to treat water over 110°F (43°C) with the system. Always connect the system to the main water supply pipe before the water heater.

Do not expose the system to freezing temperatures. Water freezing in the system causes equipment damage.

Do not install in direct sunlight. Ultraviolet rays from the sun may cause damage.

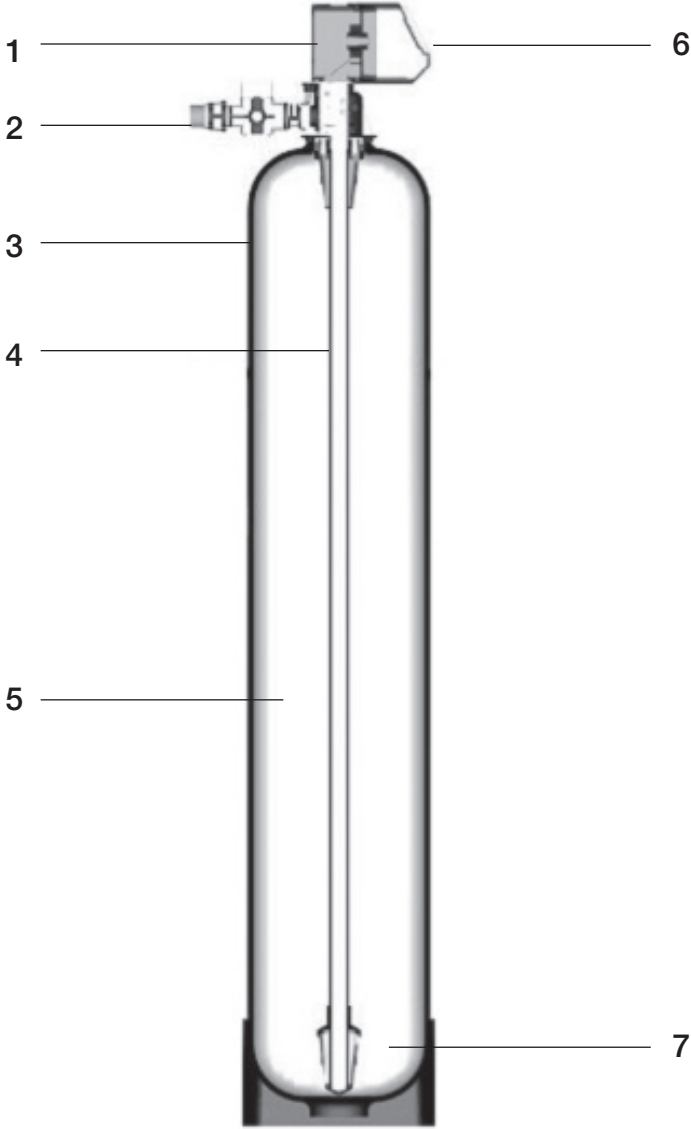
- Minimum inlet water pressure is 30psi. Maximum inlet water pressure is 125psi. Use a pressure reducing valve if necessary.



Caution:

- Do not use with water that is microbiologically unsafe or of unknown quality.
- Test the water periodically to verify that the system is performing satisfactorily.
- Discard small parts remaining after the installation.

Filter Anatomy



ITEM #	DESCRIPTION
1	Valve
2	Bypass
3	Tank
4	Distributor
5	Filter Media (Calcite, Carbon, or Micro Z™)
6	Faceplate/Controls
7	Gravel Underbed

Specifications

Feed Water Parameters

⚠ Do not use this system on water that is microbiologically unsafe or of unknown quality without adequate disinfection before or after the system !

Minimum inlet pressure: 30 psig

Maximum operating pressure: 125 psig

Minimum water temperature: 34°F (1°C)

Maximum water temperature: 110°F (43°C)

Power

Voltage: 120VAC

Frequency: 60Hz

Power consumption: 7 Watts Maximum

Installation

Location: Indoors (Protect from direct sunlight)

Minimum ambient temperature: 34°F (1°C)

Maximum ambient temperature: 122°F (50°C)

Drain Flow Rates - The drain system these filters are plumbed to must be able to accept the listed drain volumes for a period of 27 minutes.

Micro Z™ Filters

9" X 48", 1 cubic ft.	7 gpm
10" X 54", 1.5 cubic ft.	7 gpm
12" X 52", 2 cubic ft.	10 gpm
13" X 65", 3 cubic ft.	15 gpm

Carbon Filters:

9" X 48", 1 cubic ft.	4 gpm
10" X 54", 1.5 cubic ft.	5 gpm
12" X 52", 2 cubic ft.	7 gpm
13" X 65", 3 cubic ft.	9 gpm
16" X 65", 4 cubic ft.	15 gpm

Calcite Filters:

9" X 48", 1 cubic ft.	7 gpm
10" X 54", 1.5 cubic ft.	7 gpm
12" X 52", 2 cubic ft.	10 gpm
13" X 65", 3 cubic ft.	15 gpm

MODEL NO.	VALVE	MINERAL TANK SIZE	MEDIA CUBIC FOOT	GRAVEL (LBS)	SERVICE FLOW* (GPM)	PRESSURE DROP (PSI)	BACK WASH (GPM)	FLOOR SPACE LXWXH
PWBWMZ1	Time Clock	9" X 48"	1	10	9	15	7	16" X 10" X 55"
PWBWMZ15	Time Clock	10" X 54"	1.5	10	10	15	7	16" X 11" X 62"
PWBWMZ2	Time Clock	12" X 52"	2	30	10	15	10	17" X 13" X 60"
PWBWMZ3	Time Clock	13" X 65"	3	40	15	15	15	18" X 14" X 74"

MODEL NO.	VALVE	MINERAL TANK SIZE	MEDIA CUBIC FOOT	GRAVEL (LBS)	SERVICE FLOW* (GPM)	PRESSURE DROP (PSI)	BACK WASH (GPM)	FLOOR SPACE LXWXH
PBWGAC1	Time Clock	9" X 48"	1	10	3.7	<15	4	16" X 10" X 55"
PBWGAC15	Time Clock	10" X 54"	1.5	10	5.5	<15	5	16" X 11" X 62"
PBWGAC2	Time Clock	12" X 52"	2	30	7.4	<15	7	17" X 13" X 60"
PBWGAC3	Time Clock	13" X 65"	3	40	11.1	<15	9	18" X 14" X 74"
PBWGAC4	Time Clock	16" X 65"	4	60	14.8	<15	15	20" X 17" X 74"

MODEL NO.	VALVE	MINERAL TANK SIZE	MEDIA CUBIC FOOT	GRAVEL (LBS)	PEAK SERVICE FLOW (GPM)*	PRESSURE DROP	BACK WASH (GPM)	FLOOR SPACE L X W X H
PBWCAL1	Time Clock	9" X 48"	1	10	5	<15	7	16" X 10" X 55"
PBWCAL15	Time Clock	10" X 54"	1.5	10	7	<15	7	16" X 11" X 62"
PBWCAL2	Time Clock	12" X 52"	2	30	10	<15	10	17" X 13" X 60"
PBWCAL3	Time Clock	13" X 65"	3	40	15	<15	15	18" X 14" X 74"

***Note:** Peak service flow rate is for intermittent use only and is not to be interpreted as continuous service flow rate capability. These systems are designed to treat the domestic water used in a single family dwelling. For irrigation water treatment or higher volume applications please contact your Watts representative.

Setup

Unpack and check the system components for damage or missing parts.

Make sure that the bypass valve and plumbing yoke are properly connected to each other and to the control valve with the mounting clips. Make certain that the drain line flow control fitting is installed properly on the drain port of the control valve. Systems that are 13" in diameter and larger are not loaded with media. These systems must be loaded with media before placing into service. To load a system follow the below steps.

1. Cap the top open end of the distributor tube with tape and plastic sheeting to keep foreign debris from entering the distributor tube. This cap must be secure and not come off during media loading.
2. Place the distributor tube, screen end down, into the mineral tank and center it in the bottom. The top of the distributor tube should be flush with the top of the tank.
3. Make sure the plastic and tape cap is secure to the top of the distributor tube, place a funnel on the top of the tank and load first the gravel then the filter media into the tank. The cap must not come off of the distributor tube during the loading of the media.
4. Remove the plastic cap from the distributor tube. **DO NOT PULL UP ON THE DISTRIBUTOR TUBE** when removing the cap. The distributor tube top must remain flush with the top of the tank.
5. Clean any media from the threads and top of the mineral tank.
6. Lubricate the O-rings on the bottom of the control valve (distributor pilot O-ring and top of tank O-ring). Use non-petroleum based silicone lubricant only.
7. Place the control valve on top of the tank. When doing this step, seat the top of the distributor tube inside the centered O-ring sealed port on the bottom of the valve first then press the valve down until the tank threads come in contact with the valve threads. This ensures that the distributor tube is properly seated into the bottom of the control valve. Thread the valve on to the tank clockwise. Be careful not to cross thread the valve or over tighten it. A hand tight snug fit is appropriate for the control valve torque. A wrench is not necessary. Do not use thread sealant or PTFE tape on the valve base threads.
8. The system is now ready for installation.

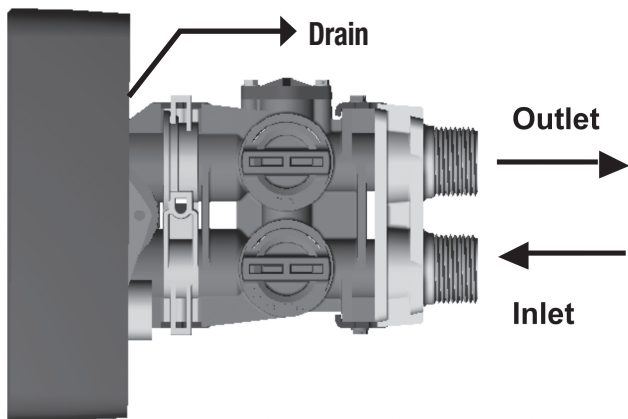
Installation Considerations

Consider the following points when determining where to install the filter:

- Place the system as close as possible to a sewer drain.
- Do not install the filter where it would block access to the water heater, or access to the main water shutoff, water meter, or electrical panels.
- Install the filter in a place where water damage is least likely to occur if a leak develops.
- A 120VAC electrical outlet is needed to plug in the transformer.
- Always connect the system to the main water supply pipe before the water heater.
- Install the system where it will not be subject to temperatures outside of the limits stated in the Specification section or to direct sunlight.
- Make sure the installation surface is smooth, level, and sturdy enough to support the weight of the wetted system.

Installation

1. Turn off gas or electric supply to the water heater.
2. Turn off the main water supply to pipes to be cut and drain the house water pipes.
3. Open both hot and cold faucets.
4. Move the filter assembly into installation position.
 - Be sure the floor under the water filter system is clean, level and strong enough to support the unit.
5. Plumb IN and OUT connections to and from filter.
 - Be sure the incoming water supply is connected to the INLET port of the valve.
 - The valve body of the control is marked with arrows indicating the proper flow direction.
 - Connections are illustrated below.



6. Connect and route the valve drain line using rigid piping or hose. Use the same size plumbing for the drain line as the fitting for the drain connection. The smallest units have a 1/2" connection, the larger sized units have a 3/4" connection. It is important to use the same size plumbing as the connection to ensure proper backwash flow. Properly secure the end of the drain line.

Note: Leave an air gap of at least 1 1/2" between the end of the drain plumbing and the drain point.

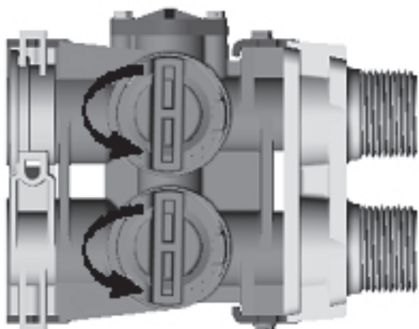
CAUTION: If making a soldered copper installation, do all sweat soldering before connecting pipes to the bypass valve. Torch heat will damage plastic parts.

CAUTION: When turning threaded pipe fittings onto plastic fittings, use care not to cross-thread.

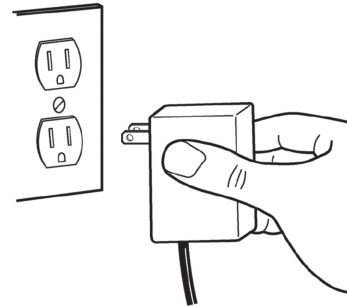
CAUTION: Use PTFE tape on all external pipe threads. Do not use pipe joint compound.

CAUTION: Support inlet and outlet plumbing in some manner (use pipe hangers) to keep the weight off of the valve fittings.

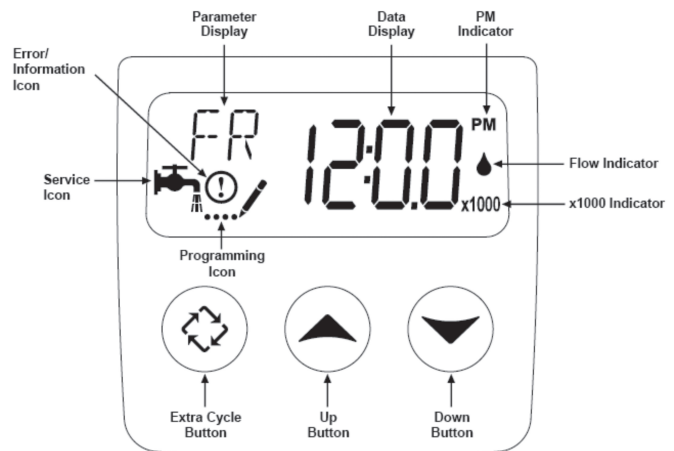
7. Place bypass valve in "bypass" position as shown below.



8. Fully open two (2) cold water faucets near the water filter.
9. Fully open the house main water shutoff valve. Observe a steady flow from both faucets.
10. Close the cold water faucets.
11. Check plumbing work for leaks and fix immediately if any are found.
12. Connect electrical power by plugging the transformer into a (120 VAC) outlet.



13. Remove the cover from the valve. Press and hold the "Extra Cycle" button until the flashing "BW" symbol appears in the Parameter Display.



14. Unplug the valve when the "BW" symbol stops flashing and the countdown timer appears. This keeps the valve in an extended backwash for the initial startup.
15. Open the outlet bypass valve fully.
16. Open the inlet bypass valve slightly. Open the valve just until you hear water flowing.
17. Observe the drain flow. It may take several minutes for the filter vessel to fill up with water and begin to flow to drain.
18. After all the air is purged from the vessel and a steady drain flow is observed, allow the unit to backwash for 2 hours with the inlet valve open slightly.
19. Fully open the inlet bypass valve and allow the unit to backwash for 30 minutes.
20. After 30 minutes, observe the drain flow. If the drain flow is clear proceed to the next step. If the drain flow is still cloudy, allow it to continue to backwash until it is clear.

Installation continued

22. Plug the unit back in to the electrical outlet and allow it to finish the flush cycle. This will take approximately 20 minutes.
23. Set the time of day. Press and hold either the Up or Down buttons until the programming icon replaces the service icon and the parameter display reads TD. Adjust the displayed time with the Up and Down buttons. When the desired time is set, press the Extra Cycle button to resume normal operation. The unit will also return to normal operation after 5 seconds if no buttons are pressed.
24. Turn on the gas or electric supply to the water heater after all air has been purged from the house's plumbing system and water heaters.

Controller

The factory default program settings should be adequate for most installations. See the ProFlo SXT Service Manual included with the unit for advanced programming options.

Filter Operation

As water enters the filter, it passes through the filter media. Over time, suspended solids accumulate in the filter media and need to be rinsed out. This is accomplished by performing a backwash. During backwash the filter is in automatic bypass allowing unfiltered water to pass downstream. The automatic backwash is initiated based on time and is normally set to occur in the middle of the night.

This System Has Three Positions:

1. Backwash Position

Backwash is a rapid upward flow of water that loosens the filter bed and flushes dirt and sediment captured in the bed out to the drain.

2. Fast Rinse Position

Fast Rinse is a fast flow of water down through the filter bed that follows a **Backwash**. This packs the filter bed for the next service cycle.

3. Service Position

When the filter is In **Service**, water is flowing through the system and sediment is being removed from your water if it's a Micro Z™ filter. If it's a carbon filter, it removes chlorine, tastes, odors, and organics from your water. If your system contains calcite media your water's acidic pH will be raised closer to a value of 7.

Replenishing Calcite Filter Bed Media

As low pH water is neutralized by the calcite filter media a small amount of calcite dissolves into the water. Over a period of time calcite media will need to be added to the system so that it can continue to perform properly. The need to add calcite media to the system can be verified by performing a pH test on the treated water. If the results of the pH test show a value below 6.5 pH units contact your system installer or local water treatment professional to have the media bed replenished.

Troubleshooting

PROBLEM	CAUSE	SOLUTION
1. Loss of Water Pressure	Sediment buildup in filter bed	A. Perform a manual backwash
		B. Make sure unit is plugged in
		C. Replace media
2. Drain Flows Continuously	Foreign material in control	Remove piston assembly and inspect bore, remove foreign material & check control in various ports
3. Wrong time of day	Power Outage	Reset time of day. Be sure power supply in uninterrupted
4. Controller Cycles Continuously	Faulty timer board or microswitch	Replace defective components
5. Unfiltered water in house	A. Bypass in Bypass position	A. Move Bypass to service position
	B. Valve stalled in backwash	B. Have valve serviced
	C. Media needs to be replaced	C. Have system serviced

Note: Error codes appear in the service display.

ERROR CODE	CAUSE	SOLUTION
(Err 0)	Drive motor is stalled	See above troubleshooting table, #5-B
(Err 1)	Drive water runs continuously	See above troubleshooting table, #4
(Err 2)	There has been more than 99 days since the last regeneration	Initiate a manual regeneration
(Err 3)	Control Board memory failure	Replace control board

CALIFORNIA PROPOSITION 65 WARNING

WARNING: This product contains chemicals known to the State of California to cause cancer and birth defects or other reproductive harm. (California law requires this warning to be given to customers in the State of California.)

For more information: www.watts.com/prop65

LIMITED WARRANTY: Certain Watts Pure Water products come with a limited warranty from Watts Regulator Co. Other products may have no warranty or are covered by the original manufacturer's warranty only. For specific product warranty information, please visit www.watts.com or the published literature that comes with your product. Any remedies stated in such warranties are exclusive and are the only remedies for breach of warranty. **EXCEPT FOR THE APPLICABLE PRODUCT WARRANTY, IF ANY, WATTS MAKES NO OTHER WARRANTIES, EXPRESS OR IMPLIED. TO THE FULLEST EXTENT PERMITTED BY APPLICABLE LAW, WATTS HEREBY SPECIFICALLY DISCLAIMS ALL OTHER WARRANTIES, EXPRESS OR IMPLIED, INCLUDING BUT NOT LIMITED TO THE IMPLIED WARRANTIES OF MERCHANTABILITY AND FITNESS FOR A PARTICULAR PURPOSE, AND IN NO EVENT SHALL WATTS BE LIABLE, IN CONTRACT, TORT, STRICT LIABILITY OR UNDER ANY OTHER LEGAL THEORY, FOR INCIDENTAL, INDIRECT, SPECIAL OR CONSEQUENTIAL DAMAGES, INCLUDING, WITHOUT LIMITATION, LOST PROFITS OR PROPERTY DAMAGE, REGARDLESS OF WHETHER IT WAS INFORMED ABOUT THE POSSIBILITY OF SUCH DAMAGES.**



A Watts Water Technologies Company

USA: Tel. (800) 224-1299 • www.watts.com

Canada: Tel. (888) 208-8927 • www.watts.ca