

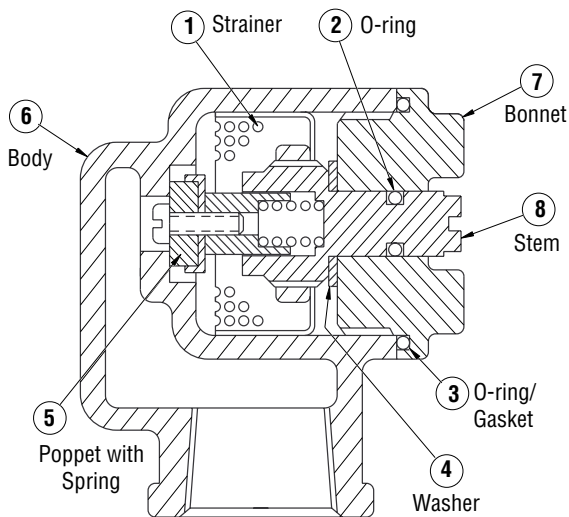
#### DESCRIPTION

Refer to charts on page 2 for repair/replacement kits for all four styles of stop valves.

**TYPE 1 1/2" NPT Triple Duty Strainer Checkstop for Concealed Piping**

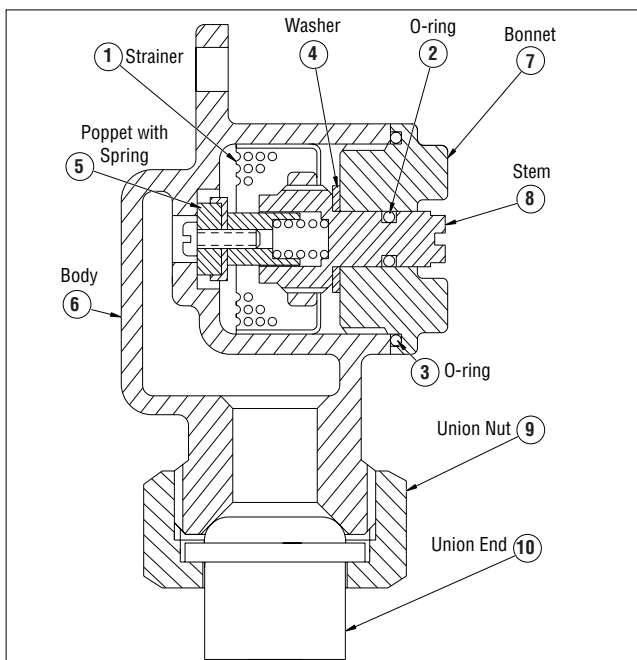
**TYPE 2 1/2" NPT Triple Duty Strainer Checkstop for Exposed Piping**

For shower mixers, concealed and exposed fotoguards



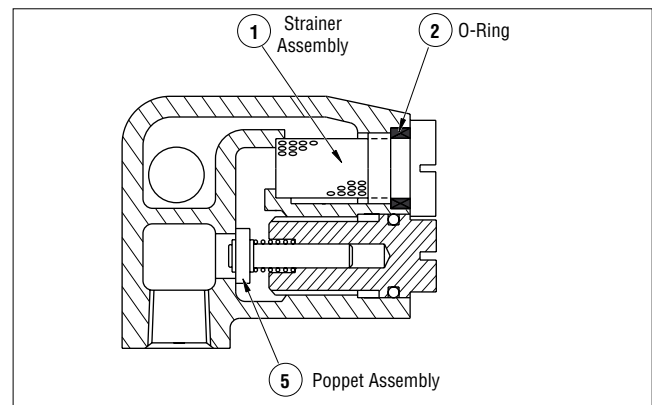
**TYPE 3 1/2" NPT Triple Duty Strainer Checkstop Union Type for Exposed Piping**

Obsolete



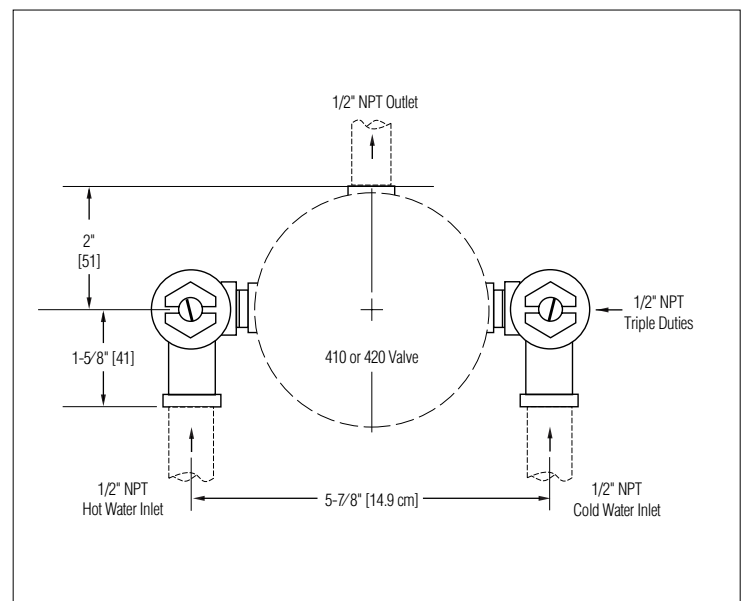
#### TYPE 4 OBSOLETE

Used for H Hydroguards and H Fotoguards Prior to 1966



#### INSTALLATION

1. Connect fittings to the mixer with the bonnet [7] and stem [8] in an accessible position (refer to drawing below for orientation).
2. Make sure stop valves are open by turning stem [8] fully counter-clockwise.



**MAINTENANCE**

**Preventative Maintenance**

1. To ensure proper operation, the checkstops should be inspected for worn parts and cleaned every 6 months.

**Cleaning Checkstops [1]**

1. Close the checkstop by turning the stem [8] fully clockwise to a solid stop.
2. Remove the bonnet [7] by turning counterclockwise.
3. Pull out screens [1] and clean.
4. Replace the screen [1] and bonnet [7]
5. Open the stop valves by turning the stem [8] fully counterclockwise.

**Replace/repair check valve/spring**

1. Shut off water supply upstream.
2. Remove the bonnet [7] and the stem [8].
3. Inspect or repair poppet or spring [5]. Replace assembly if necessary.
4. Replace bonnet and stem.
5. Open stop valves by turning stem fully counterclockwise.
6. Turn on supply water.

**PARTS/REPAIR KITS**

Part	Description	Type 1	Type 2	Type 2	Type 3	Type 3	Type 3	Type 4
		Rough Bronze	Bright Chrome	Polished Chrome	Rough Bronze (Obsolete)	Bright Chrome (Obsolete)	Polished Chrome (Obsolete)	Obsolete
	1 PAIR (1 RH, 1 LH complete C/S)	230 046	230 047	230 048	-	-	-	-
	LEFT (1 LH complete C/S)	230 040	230 041	230 042	-	-	-	-
	RIGHT (1 RH complete C/S)	230 043	230 044	230 045	-	-	-	-
1	Strainer Assembly	-	-	-	-	-	-	230 130
	Screen	230 084	230 084	230 084	230 084	230 084	230 084	230 084
2	O-ring	230 131	230 131	230 131	230 131	230 131	230 131	230 128
		230 132	230 132	230 132	230 132	230 132	230 132	
3	Bonnet Gasket/O-ring	230 131	230 131	230 131	230 131	230 131	230 131	-
	**	230 132	230 132	230 132	230 132	230 132	230 132	-
4	Washer	230 131	230 131	230 131	230 131	230 131	230 131	-
		230 132	230 132	230 132	230 132	230 132	230 132	-
5	Poppet & Spring Assy.	230 132	230 132	230 132	230 132	230 132	230 132	230 129
6	Body	Replace whole checkstop assembly (see first three rows above)						
7	Bonnet	230 076A	230 077A	230 078A	230 076A	230 077A	230 078A	-
8	Stem	230 079	230 080	230 081	230 079	230 080	230 081	-
9	Union Nut	-	-	-	-	-	601 004	-
10	Union Tail	-	-	-	-	-	601 005	-

\*\* All checkstops manufactured before date code J44 (Nov. '94) use a flat gasket for part 3. All models manufactured after date code J44 (Nov '94) have a modified body, and require an O-ring for part 3. Refer to the stamp on the valve bonnet for the date code. Kits for Types 1, 2 and 3 contain both parts for repair.

**KIT COMPONENTS (parts for one pair of stop valves)**

**Checkstop Types 1, 2, and 3:**

- 230 131 O-ring [2], Bonnet Gasket/O-ring [3]\*\*, Washer [4]  
 230 132 Strainer Assembly/Screen[1], O-ring [2], Bonnet Gasket/O-ring[3]\*\*, Washer [4], Poppet Assembly [5]

**Checkstop Type 4 (Obsolete valve):**

- 230 130 Strainer Assembly [1], O-ring [2]  
 230 129 Poppet Assembly [5]  
 230 128 O-ring [2]

**CALIFORNIA PROPOSITION 65 WARNING**

**WARNING:** This product contains chemicals known to the State of California to cause cancer and birth defects or other reproductive harm. (Installer: California law requires that this warning be given to the consumer.)  
 For more information: [www.wattind.com/prop65](http://www.wattind.com/prop65)