

# POWERS

A WATTS INDUSTRIES CO.

## TECHNICAL INSTRUCTIONS

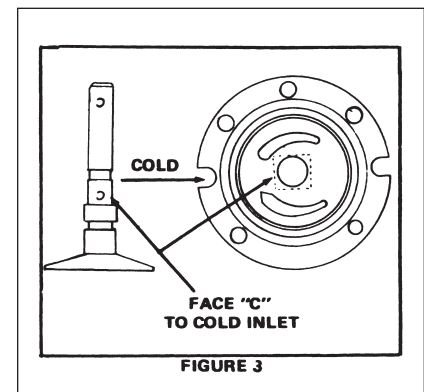
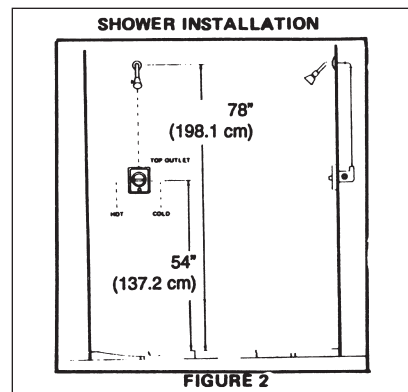
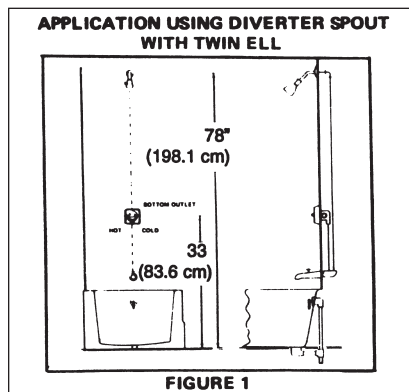
### Hydroguard™ Dial Assembly

### Model 6

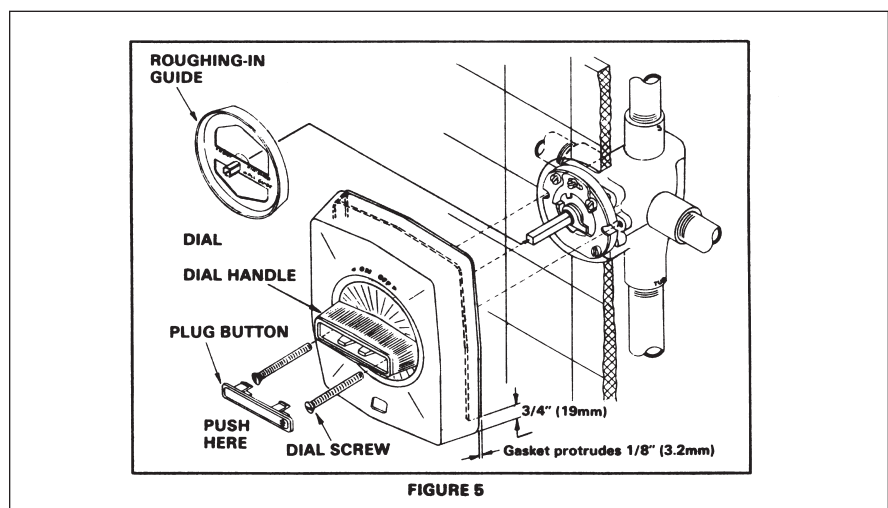
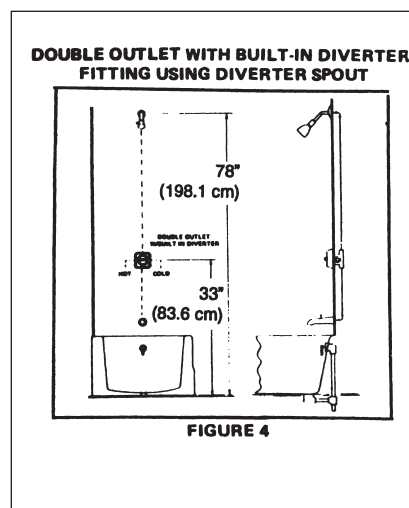
1. Flush all piping thoroughly before installing.
2. Position mixer 2-1/2" from center line of inlets to face of finished wall. Facing front of mixer, connect hot water to left side, and cold water to right side. Inlet connections must be piped correctly for proper operation of Mixer. Connect hot water inlet to side labeled "H" on bonnet label, or "HOT" on port label.
3. **Single Outlet Model** can be top or bottom mounted. See Figures 1 and 2. Unit is factory assembled for top outlet installation. For shower use only, pipe top outlet

directly to shower head. If bottom outlet is required (or reversed inlets), place mixer stem in closed position (full clockwise) and remove O-ring and Stop (Figure 7). Rotate stem 180° and replace Stop in its initial position. The letter "C" (stamped on side of stem, Figure 3) must face the cold water inlet when mixer is shut off. Hot and cold inlets should also be identified to avoid confusion during future maintenance.

4. Installation should be in accord with accepted plumbing practices.



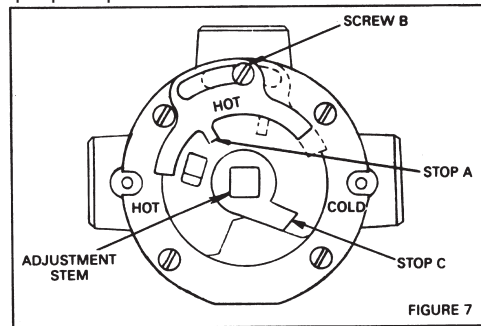
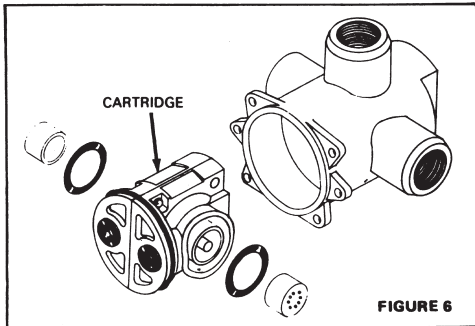
5. **Double Outlet Model.** See Figure 4. The top outlet "S" is piped to the shower head. The bottom outlet "Tub" is piped directly to P diverter type spout. There is a built-in diverter fitting in the Mixer so it is not necessary to use a twin ell. Be sure that "Tub" is piped to the tub. If the outlet connections are crossed, the Mixer will not function properly.
6. Side Roughing-in guide onto mixer stem until it contacts temperature stop on stem facing front of mixer, the words "FRONT FINISHED WALL GUIDE" can be read. Position mixer so finished wall surface will be within the 3/4" rim on the guide. This insures the center line of the mixer connections will be 2-1/2 inches (64 mm) from the finished wall surface. After wall is finished, remove guide.



7. To install dial, remove plug button, peel backing off gasket and attach gasket to inside dial top and sides allowing approximately 1/8" (3.2mm) of gasket to protrude past dial edge. Place dial over stem, and attach it to mixer body with 2 screws provided. Dial handle must be in horizontal position. Install plug button by snapping it into handle with HOT-COLD indicator on right. NOTE: To remove plug button, press indicator marking with thumb, and snap out. Figure 5 shows relationship of ports.
8. When copper tubing is used flared fittings are recommended. If flared fittings cannot be used, the balancing chamber cartridge must be removed before soldering near the Hydroguard body. Inlet checkstops with direct with direct sweat connections are available in both straight in and 90° angle configurations.

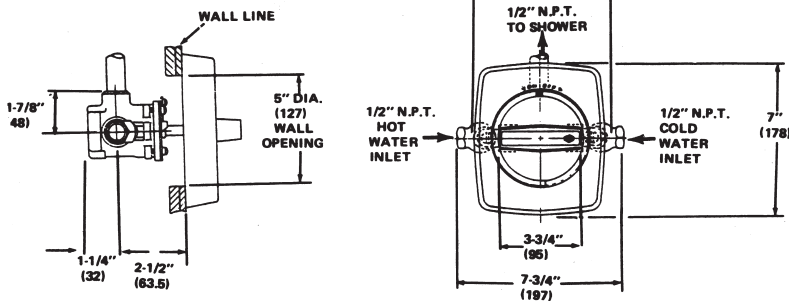
To remove the balancing chamber cartridge, remove the four bonnet screws and lift off the bonnet. Pull out the cartridge, with either pliers or cartridge puller. Before replacing the cartridge, lubricate the side O-rings with a small amount of grease or soap. Figure 6 shows body, cartridge relationship.

9. **Maximum Temperature Setting** (Refer to figure 7). This must be set on the job. Mixer will pas full HOT water. Loosen screw B (do not remove). Rotate stem to get desired maximum temperature. Move stop A until it touches stop C. Tighten screw B. Special Case—with high (over 140°F [60°C]) hot water. Remove screw B, turn stop A over as shown by dashed lines (the word "HOT" will face in) replace screw B. Reset stop A per above. CAUTION: Adjustable stop A must be present for proper operation.

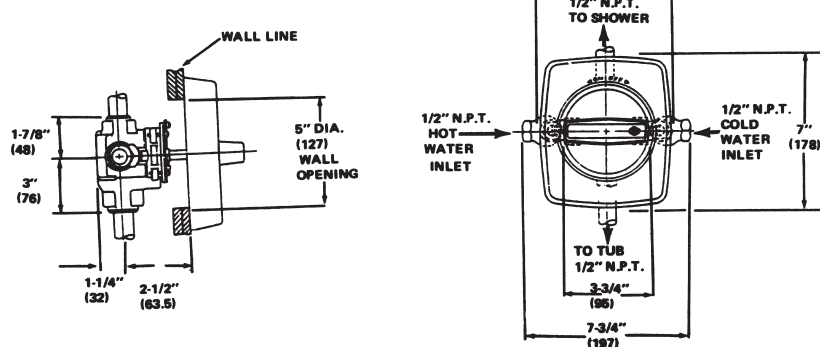


**DIMENSIONS (Millimeters shown in parentheses)**

**Single Outlet**



**Double Outlet**



**CALIFORNIA PROPOSITION 65 WARNING**

**WARNING:** This product contains chemicals known to the State of California to cause cancer and birth defects or other reproductive harm. (Installer: California law requires that this warning be given to the consumer.)

For more information: [www.wattsind.com/prop65](http://www.wattsind.com/prop65)

**POWERS**  
A WATTS INDUSTRIES CO.

Reprinted © April 2001 Powers, a Watts Industries Co.  
3400 Oakton Street, Skokie, IL 60076 Phone: 800.669.5430 • 847.673.6700 • Fax: 847.673.9044  
[www.powerscontrols.com](http://www.powerscontrols.com)  
5435 North Service Road, Burlington, Ontario, L7L 5H7 Canada • Phone: 888.208.8927 • Fax: 888.882.1979