

For Non-Health Hazard Applications

Job Name _____

Contractor _____

Job Location _____

Approval _____

Engineer _____

Contractor's P.O. No. _____

Approval _____

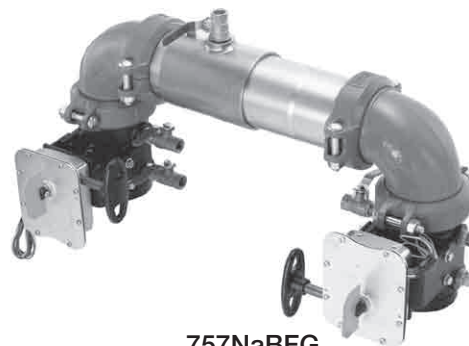
Representative _____

Series 757Na

Double Check Valve Assemblies

Sizes: 2½" – 6" (65 – 150mm)

Series 757Na Double Check Valve Assemblies are used to prevent backflow of non-health hazard pollutants that are objectionable but not toxic, from entering the potable water supply system. The 757Na may be installed under continuous pressure service and may be subjected to backpressure and backsiphonage. Series 757Na consists of two independently operating valves, two shutoff valves, and four test cocks.



757NaBFG

Features

- Extremely compact design
- 70% lighter than traditional designs
- 304 (Schedule 40) stainless steel housing & sleeve
- Groove fittings allow integral pipeline adjustment
- Patented bi-link check provides lowest pressure loss
- Unmatched ease of serviceability
- Available with grooved butterfly valve shutoffs
- Available for N pattern installations
- Replaceable check disc rubber

Specifications

The Double Check Valve Assembly shall consist of two independent bi-link check modules within a single housing, sleeve access port, four test cocks and two drip tight shutoff valves. Bi-link checks shall be removable and serviceable, without the use of special tools. The housing shall be constructed of 304 Schedule 40 stainless steel pipe with groove end connections. Bi-link checks shall have reversible elastomer discs and in operation shall produce drip tight closure against reverse flow caused by backpressure or backsiphonage. Assembly shall be a Watts Regulator Company Series 757Na.

Available Models

Suffix:

NRS – non-rising stem resilient seated gate valves

OSY – UL/FM outside stem and yoke resilient seated gate valves

BFG – UL/FM grooved gear operated butterfly valves with tamper switch

*OSY FxG – Flanged inlet gate connection and grooved outlet gate connection

*OSY GxF – Grooved inlet gate connection and flanged outlet gate connection

*OSY GxG – Grooved inlet gate connection and grooved outlet gate connection

Available with grooved NRS gate valves - consult factory*

Post indicator plate and operating nut available - consult factory*

*Consult factory for dimensions

Materials

Housing & Sleeve: 304 (Schedule 40) Stainless Steel

Elastomers: EPDM, and Buna-N

Bi-link Checks: Noryl®, Stainless Steel

Check Discs: Reversible EPDM

Test Cocks: Bronze Body Nickel Plated

Pins & Fasteners: 300 Series Stainless Steel

Springs: Stainless Steel

Pressure – Temperature

Temperature Range: 33°F to 110°F (0.5°C to 43°C)

Maximum Working Pressure: 175psi (12.1 bar)

Approvals



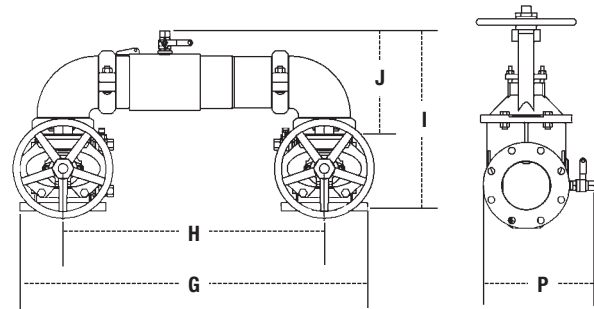
(BFG & OSY only)

Dimensions – Weight

757Na

SIZE (DN)	DIMENSIONS						WEIGHT			
	G	H	I	J	P	757aNRS		757Na OSY		
in. mm	in. mm	in. mm	in. mm	in. mm	in. mm	lbs.	kgs.	lbs.	kgs.	
2½ 65	29½ 738	21½ 546	15½ 393	8½ 213	9½ 234	123	56	133	60	
3 80	30¼ 768	22¼ 565	17⅞ 435	9¾ 233	10½ 267	144	65	158	72	
4 100	33 838	23½ 597	18½ 470	9½ 252	11¾ 284	184	83	184	83	
6 150	44¾ 1137	33¾ 857	23¾ 589	13¼ 332	15 381	314	142	336	152	

Note: For 2½" – 6" (65 – 150mm) horizontal/vertical installation, send for literature ES-757/757N.

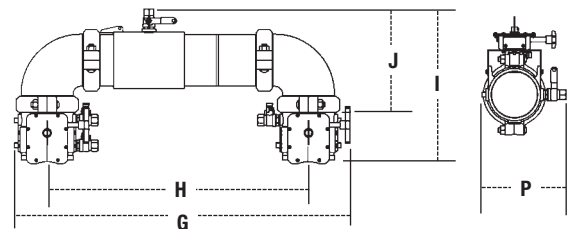


757NaBFG

SIZE (DN)	DIMENSIONS						WEIGHT			
	G	H	I	J	P	757Na BFG				
in. mm	in. mm	in. mm	in. mm	in. mm	in. mm	lbs.	kgs.	lbs.	kgs.	
2½ 65	29⅞ 759	21½ 546	14½ 379	8½ 213	9 229	64	29			
3 80	30½ 779	22¼ 565	15¾ 392	9¾ 233	9½ 241	67	30			
4 100	31½ 811	23½ 597	16¼ 412	9½ 252	10 254	84	38			
6 150	43¾ 1097	33¾ 857	19¼ 500	13¼ 332	10½ 267	157	71			

Note: For 2½" – 6" (65 – 150mm) horizontal/vertical installation, send for literature ES-757/757N.

Noryl® is a registered trademark of SABIC Innovative Plastics™.

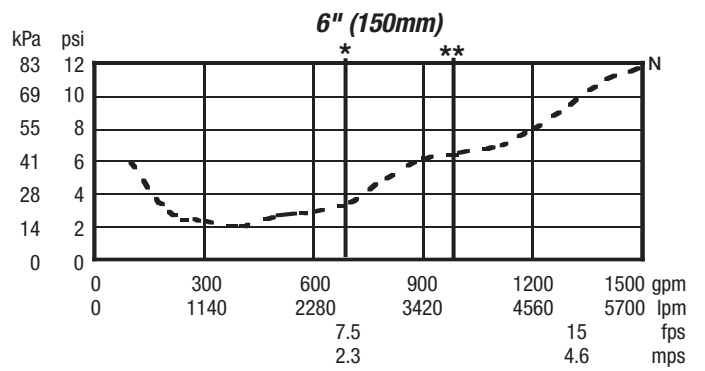
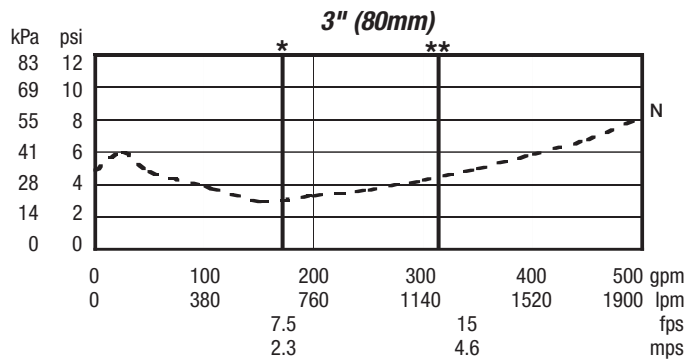
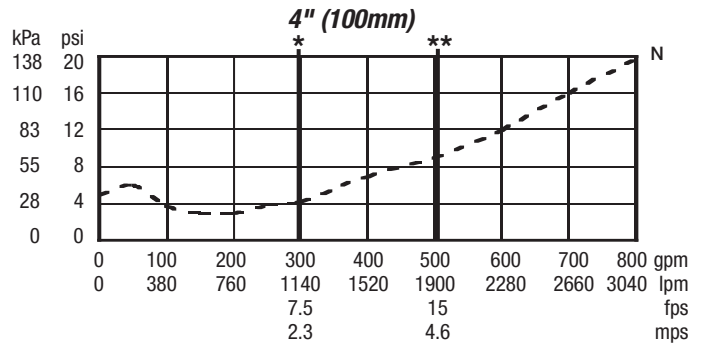
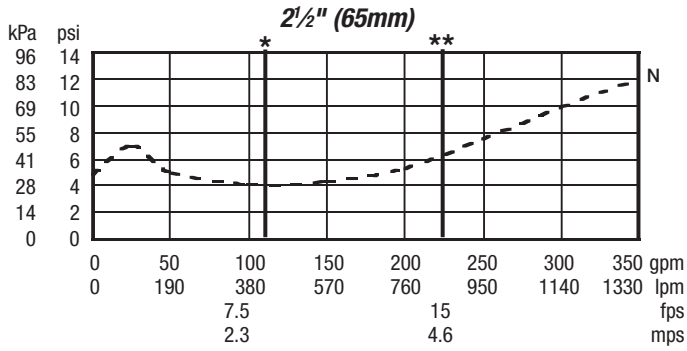


Capacity

Series 757Na flow curves as tested by Underwriters Laboratory per UL 1469, 1996.
Flow characteristics collected using butterfly shutoff valves

* = Rated flow ** = UL Rated flow

----- N - Pattern





A Watts Water Technologies Company

ES-757Na 1039



USA: No. Andover, MA • Tel. (978) 688-1811 • Fax: (978) 794-1848 • www.watts.com
Canada: Burlington, ON (905) 332-4090 • Fax: (905) 332-7068 • www.wattscanada.ca

© 2010 Watts