

For Health Hazard Applications

Job Name _____ Contractor _____

Job Location _____ Approval _____

Engineer _____ Contractor's P.O. No. _____

Approval _____ Representative _____

Model 994BLT

Portable Hydrant Backflow Preventer

Model 994BLT Portable Hydrant Backflow Preventer is for use in protection of potable water from a fire hydrant or other non-permanent installation where flow is in one direction only and the possibility of a cross-connection exists. Ideal for use with client's existing hydrant meter hookup.

Maintenance

Model 994BLT Portable Hydrant Backflow Preventer is designed and manufactured to provide long-term service with minimal maintenance. When maintenance is required, it can be performed easily at the hydrant or at any other convenient location.

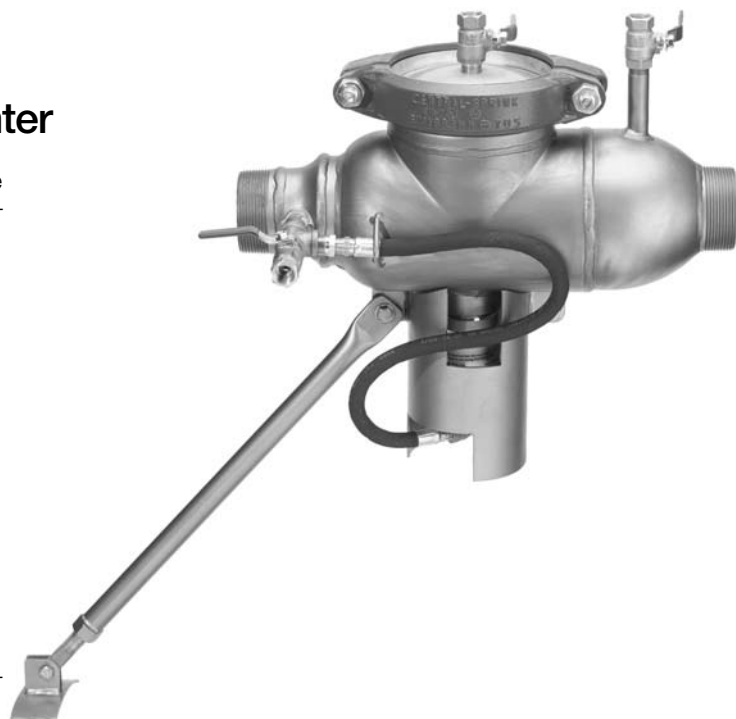
Approvals

Model 994BLT Portable Hydrant Backflow Preventer meets the design requirements of most national standards. Due to the portability of the unit, there are no national approvals available.

Features/Benefits

- Built-in support leg is adjustable in the field, no matter the installation. Eliminates assembly from sitting directly in field or from being stacked on wood bracing.
- Dual thread connections, inside 2½"(65mm) FNPT and outside 3"(80mm) MNPT threaded on each inlet and outlet, allows the user a variety of connection alternatives.
- Large flow capacity-rated at over 500 gpm with less than 14psi (96.5Kpa) loss per ASSE, USC and AWWA standards for Reduced Pressure Zone Assemblies.
- No field assembly required, eliminates leaks, fouls, and improper assembly.
- Factory assembled and tested.
- Variety of end connection accessories are available to fit on-site requirements.
- Corrosion resistant 304 stainless steel body for long life field dependability.

Portable-lightweight design makes device easily transportable between job sites.



Specifications

The Portable Hydrant Backflow Preventer shall be designed to protect the potable water system in accordance with national plumbing codes and water authority requirements, by preventing backflow through the fire hydrant during site construction phase. Water flows through the pre-tested Reduced Pressure Zone Assembly. The valve shall consist of two independently operating, spring loaded cam-check valves with a hydraulically operated differential pressure relief valve located between and below the cam-checks. When normal flow exists, both checks are open and the pressure in the area between the checks called the zone, is at least 2psi lower than the inlet pressure. If cessation of normal flow occurs, the differential pressure relief valve will automatically open and discharge to maintain the zone at least 2psi (13.8Kpa) lower than the inlet pressure. The valve shall come standard with an adjustable mounting bracket, sturdy relief valve shield, dual thread connections and other options. Portable Hydrant Backflow Preventer should be a Watts Regulator Company Series 994BLT.

Note: Adjustable support leg not shown in actual position relative to hydrant.

WATTS®
REGULATOR

Watts product specifications in U.S. customary units and metric are approximate and are provided for reference only. For precise measurements, please contact Watts Technical Service. Watts reserves the right to change or modify product design, construction, specifications, or materials without prior notice and without incurring any obligation to make such changes and modifications on Watts products previously or subsequently sold.

Options

Inlet modules

- 3" (80mm) female hydrant thread
- 3" (80mm) male hydrant thread
- 2½" (65mm) female hydrant thread
- 2½" (65mm) male hydrant thread
- 2½" (65mm) male NPT thread
- Customer specified

Outlet modules

- 3" (80mm) gate w/female hose thread
- 3" (80mm) gate w/male hose thread
- 2½" (65mm) gate w/female hose thread
- 2½" (65mm) gate w/male hose thread
- 3" (80mm) gate valve only, 3" INPT thread
- 2½" (65mm) gate valve only, 2½" FNPT thread
- Customer specified

Foot modules

- Uneven surface saddle (supplied STD with unit)
- Flat surface adapter
- Customer Specified

Materials

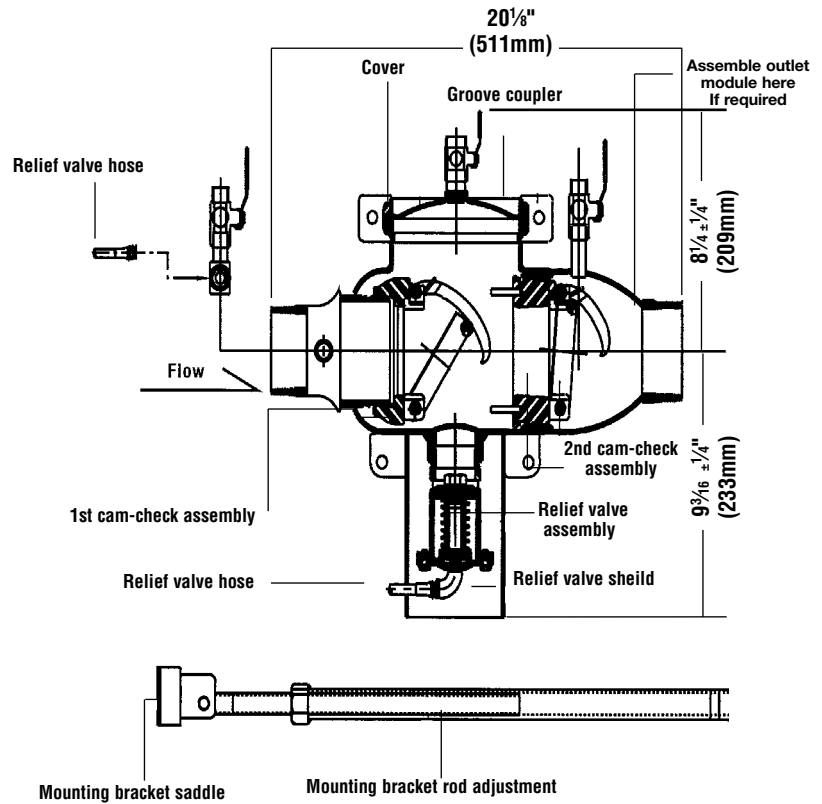
Body and Cover: Stainless Steel

Check Assemblies: Engineered Plastic and Stainless Steel

Relief Valve Assembly: Engineered Plastic and Stainless Steel

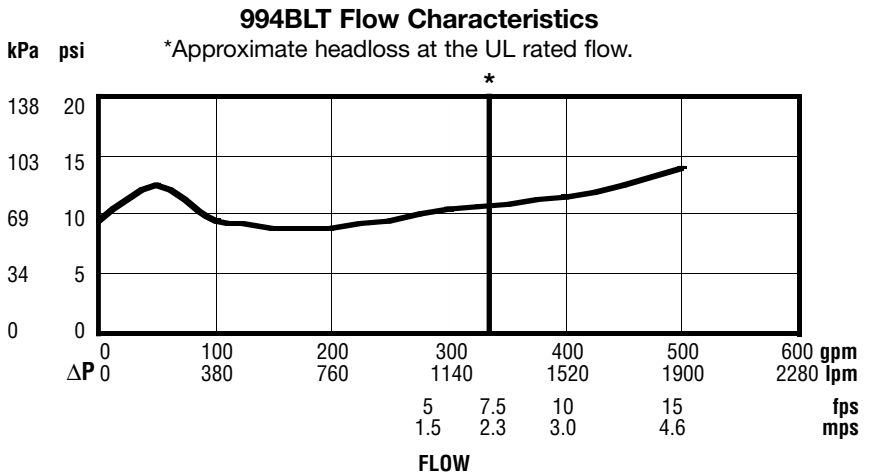
Lid Coupler: DI/CI

Dimensions



Model	Size; Inlet	Size; Outlet
994BLT	2½" (65mm) FNPT / 3" (80mm) MNPT	2½" (65mm) FMNPT / 3" (80mm) MNPT

Capacity



USA: 815 Chestnut St., No. Andover, MA 01845-6098; www.wattsreg.com
Canada: 5435 North Service Rd., Burlington, ONT. L7L 5H7; www.wattsca.com