

Job Name _____
 Job Location _____
 Engineer _____
 Approval _____

Contractor _____
 Approval _____
 Contractor's P.O. No. _____
 Representative _____

Series 3000SE

Double Check Detector Assembly

Sizes: 2½" (65mm)

Series 3000SE Double Check Detector Assembly is ideal for space restricted retrofit installations. The 3000SE's long life 300 Series stainless steel housing, along with the cartridge check assembly, substantially reduces the need to service or repair the assembly. This model is 100% lead free through the waterway. The 3000SE provides positive drip-tight closure against the reverse flow of non-potable liquids caused by a cross-connection. The 3000SE can be used in irrigation systems, fire protection systems and other systems requiring non-health hazard protection.

Features

- Very compact
- Corrosion-resistant
- No special tools required for servicing
- 100% lead free through the waterway
- ASSE 1048 horizontal and vertical installation (flow up and down)
- 350psi hydrostatic test pressure

Pressure – Temperature

Maximum Working Pressure: 175psi (12.06 bar)

Temperature Range: 33°F – 110°F (5°C – 43°C)

Materials

Body: 300 Series stainless steel

Springs: stainless steel

Swing Poppet: Noryl®

Disc: rubber

Flange dimension in accordance with AWWA class D

Available Models

Suffix:

LG – less shutoff valves

OSY – UL/FM outside stem and yoke resilient seated gate valves

CFM – cubic feet per minute meter

GPM – gallons per minute meter

LM – less meter

Noryl® is a registered trademark of SABIC Innovative Plastics™.



3000SE

Specifications

A Double Check Detector Assembly shall be installed where indicated on the plans. The assembly shall consist of two independently operating cartridge checks, appropriate test cocks and inlet and outlet resilient seated shutoff valves. Each cartridge check shall be internally loaded and provide a positive drip closure against the reverse flow of liquid caused by backsiphonage or backpressure. The cartridge checks include a stainless steel spring and swing poppet, a rubber faced disc and a replaceable seat. The body shall be manufactured from 300 Series stainless steel and shall be 100% lead free through the waterway with a single one-bolt access cover. No special tools shall be required for servicing. The assembly shall be an Ames Fire & Waterworks Series 3000SE.

NOTICE

The information contained herein is not intended to replace the full product installation and safety information available or the experience of a trained product installer. You are required to thoroughly read all installation instructions and product safety information before beginning the installation of this product.

Ames Fire & Waterworks product specifications in U.S. customary units and metric are approximate and are provided for reference only. For precise measurements, please contact Ames Fire & Waterworks Technical Service. Ames Fire & Waterworks reserves the right to change or modify product design, construction, specifications, or materials without prior notice and without incurring any obligation to make such changes and modifications on Ames Fire & Waterworks products previously or subsequently sold.



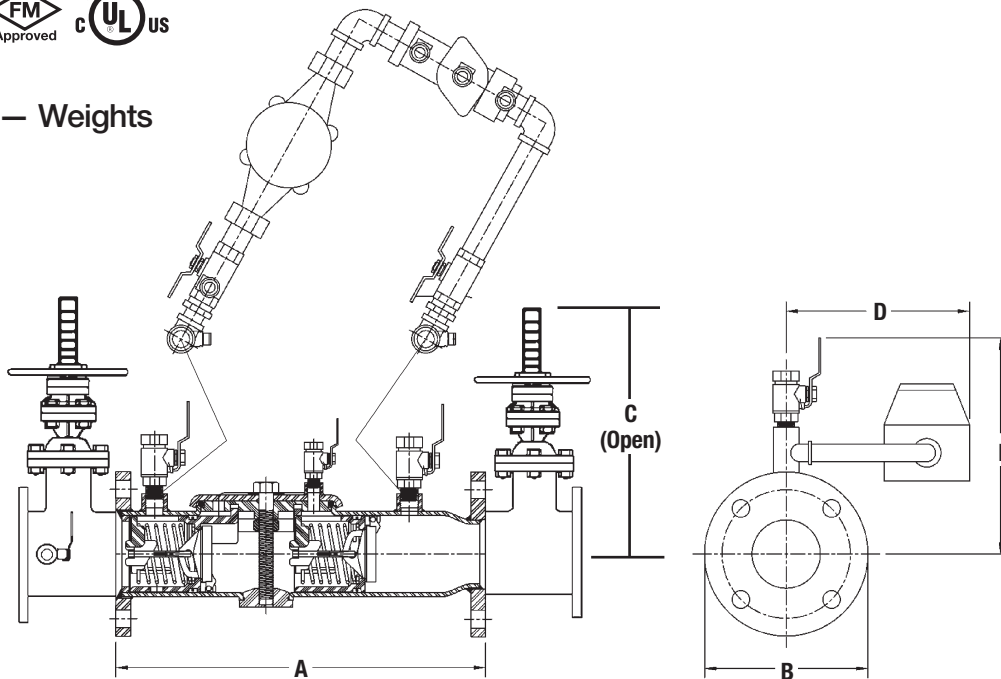
Standards

Flange dimensions in accordance with AWWA

Approvals



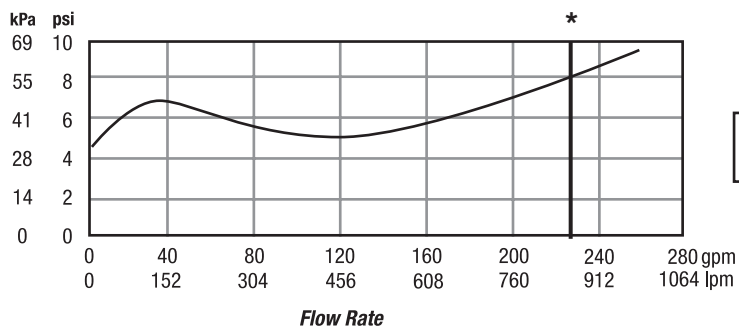
Dimensions – Weights



SIZE (DN)		DIMENSIONS										WEIGHT					
		A		B		C OSY		D		F		Lay Length with Gates		Wt. of Valves without Gates		Wt. of Valves with Gates	
in.	mm	in.	mm	in.	mm	in.	mm	in.	mm	in.	mm	in.	mm	lb.	kg	lb.	kg
2½	65	15¾	400	7	178	16¾	416	15	381	10½	267	31	787	37	16.8	124	56.2

Capacities

*UL Rated



IMPORTANT: Inquire with governing authorities for local installation requirements.



A WATTS Brand

USA: Backflow Tel: (978) 689-6066 • Fax: (978) 975-8350 • AmesFireWater.com
 USA: Control Valves Tel: (713) 943-0688 • Fax: (713) 944-9445 • AmesFireWater.com
 Canada: Tel: (905) 332-4090 • Fax: (905) 332-7068 • AmesFireWater.ca
 Latin America: Tel: (52) 81-1001-8600 • AmesFireWater.com