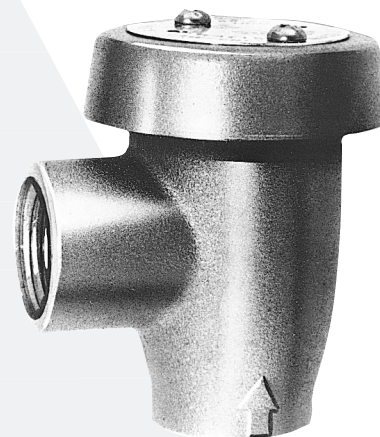




Series A100

Atmospheric Vacuum Breakers

Sizes: 3/4" – 2" (20 – 50mm)
 1 1/4" contact factory



A100

Materials

Sizes 3/4" – 2" (20 – 50mm) featuring brass body construction with bronze internal trim. Durable silicone seat disc features excellent chemical and heat resistance. Plastic disc float to minimize deposits and scaling.

Temperature – Pressure

Maximum temperature 180°F (82°C) at 125psi (8.6 bar) (working pressure).

Approvals

Approved by the city of Los Angeles



Series A100 Atmospheric Vacuum Breakers are designed to prevent the backsiphonage of contaminated water into the potable water supply. Features a lightweight, durable “disc float” suitable for temperatures up to 180°F (82°C) which closes the atmospheric vent to prevent spilling under all rates of flow. Upon downstream demand, the vent disc assembly rises, sealing the atmospheric vent, allowing water to flow. A loss of supply pressure or the creation of a negative supply pressure causes the vent disc assembly to drop, opening the atmospheric vent and closing the supply side of the valve. Recommended for low flow installations such as laboratory equipment which use small amounts of water. Contains a durable silicone disc which has high heat and water hammer shock resistance and ensures tight seating with the lightest of seating contacts.

Specifications

An atmospheric vacuum breaker shall be installed where indicated on the plans to prevent the backsiphonage of contaminated water. This device is not to be used under continuous pressure or where there is a possibility that a backpressure condition may develop. The device shall meet the requirements of ASSE. Standard 1001, ANSI A112.1.1 and CSA B64. Atmospheric vacuum breaker shall be an Ames Company Series A100.

Job Name _____ Contractor _____

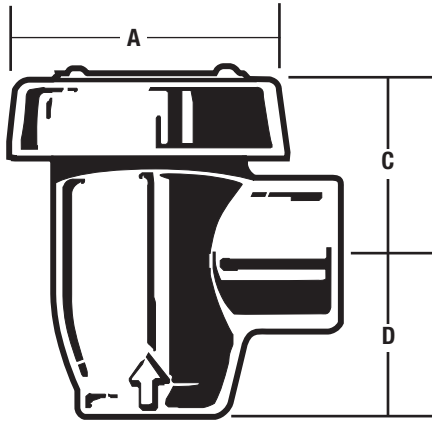
Job Location _____ Approval _____

Engineer _____ Contractor's P.O. No. _____

Approval _____ Representative _____

Ames product specifications in U.S. customary units and metric are approximate and are provided for reference only. For precise measurements, please contact Ames Technical Service. Ames reserves the right to change or modify product design, construction, specifications, or materials without prior notice and without incurring any obligation to make such changes and modifications on Ames products previously or subsequently sold.

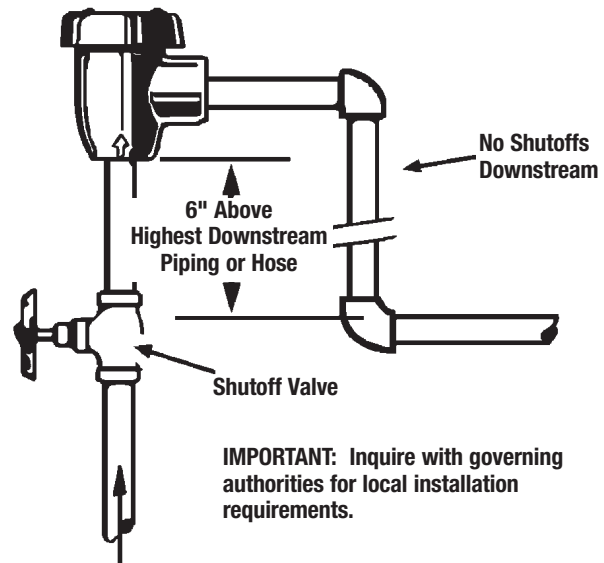
Dimensions – Weights



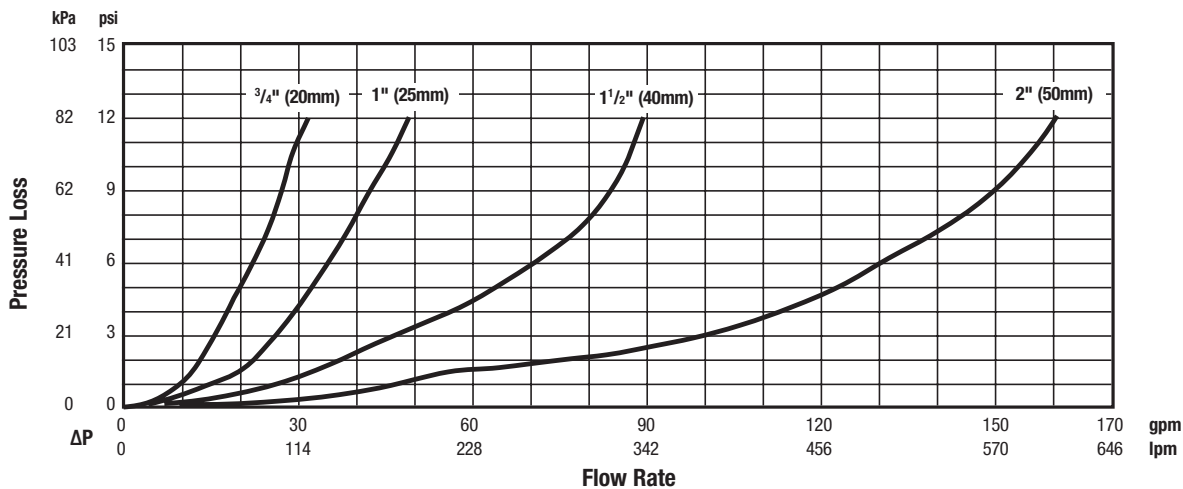
SIZE (DN)		DIMENSIONS						WEIGHT	
in.	mm	A		C		D		lb.	kg
3/4	20	2 1/4	57	1 7/8	48	1 1/2	38	1.13	.51
1	25	2 7/8	73	2 1/8	54	1 11/16	43	1.75	.79
1 1/2	40	3 5/8	92	2 7/16	62	2 3/16	56	3.63	1.64
2	50	4 1/8	105	2 7/8	73	2 1/2	64	5.25	2.38

Installation

Atmospheric Vacuum Breaker must be installed 6" (152mm) above the highest point of the downstream piping. There can be no shutoff valves downstream of an AVB. The AVB should not be subjected to continuous pressure for more than 12 hours per ASSE Std. 1001.



Capacity



IMPORTANT: Inquire with governing authorities for local installation requirements.



A Division of Watts Regulator Company

www.amesfirewater.com



1427 North Market Blvd. • Suite #9 • Sacramento, CA 95834 • Phone: 916-928-0123 • Fax: 916-928-9333