

Controls and Accessories

LEAD FREE*

Model LFFC Flow Control

Size: ½" NPT

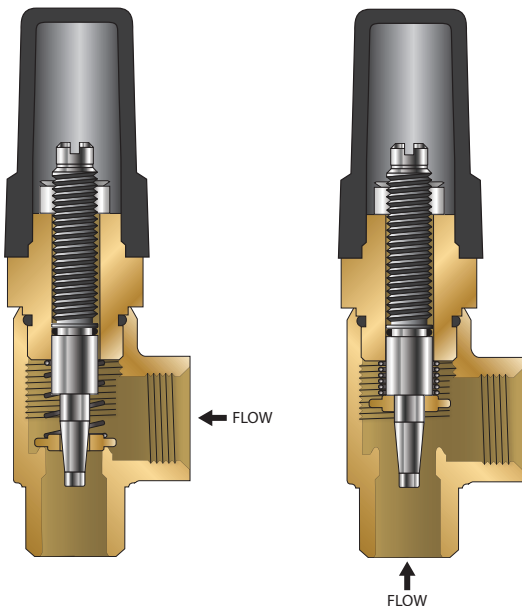
A Flow Control is an adjustable device used for tuning valve performance. It can be installed to either control the opening or closing the speed of the automatic control main valve. When the flow is in the direction of the needle the flow control is an adjustable restriction. In the free flow direction the seat moves out of the flow path to all unrestricted flow.



LF Flow Control

CLOSED
Fluid Speed
Controlled by Needle

OPEN
Free Flow
Seat Full Open



Specifications

| | |
|-----------------------|---|
| Size: | ½" NPT |
| Body Material: | Lead Free Brass Stainless Steel (optional) |
| Seat: | Lead Free Brass |
| Needle: | Stainless Steel (304) |
| Elastomers: | Buna-N (standard) |

*The wetted surface of this product contacted by consumable water contains less than 0.25% of lead by weight.

NOTICE

The information contained herein is not intended to replace the full product installation and safety information available or the experience of a trained product installer. You are required to thoroughly read all installation instructions and product safety information before beginning the installation of this product.

Ames Fire & Waterworks product specifications in U.S. customary units and metric are approximate and are provided for reference only. For precise measurements, please contact Ames Fire & Waterworks Technical Service. Ames Fire & Waterworks reserves the right to change or modify product design, construction, specifications, or materials without prior notice and without incurring any obligation to make such changes and modifications on Ames Fire & Waterworks products previously or subsequently sold.



USA: Backflow Tel: (978) 689-6066 • Fax: (978) 975-8350 • AmesFireWater.com
USA: Control Valves Tel: (713) 943-0688 • Fax: (713) 944-9445 • AmesFireWater.com
Canada: Tel: (905) 332-4090 • Fax: (905) 332-7068 • AmesFireWater.ca
Latin America: Tel: (52) 81-1001-8600 • Fax: (52) 81-8000-7091 • AmesFireWater.com

ES-A-ACV-LFFC 1515

A Watts Water Technologies Company

© 2015 Ames Fire & Waterworks