



Series ACVW – 125

Cast Iron Silent Check Valves

Sizes: 2" – 10" (50 – 250mm)

Features

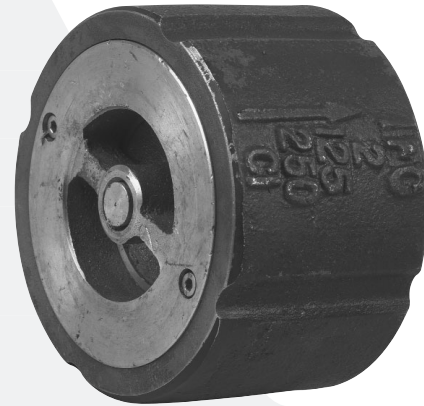
- Conical spring design allows greater flow coefficient
- Can be installed in horizontal or vertical position

Pressure – Temperature

Maximum Working Pressure:

200psi CWP to 150°F

Note: Not to be used in steam service



ACVW-125

Materials

Body: Cast Iron, ASTM A126 Class B

Disc: Bronze, ASTM B62

Conical Spring: Stainless Steel, ASTM 302

Seat: Bronze, ASTM B62

Bushing: Bronze, ASTM B62

Set Screw: Stainless Steel, ASTM 304

Series ACVW-125 Cast Iron Silent Check Valves are designed to prevent water hammer effect. The conical spring design allows the closure disc to travel more distance than other valves of this style, allowing a greater flow coefficient (Cv). Series ACVW-125 can be installed in either the horizontal or vertical position. Note: When installed in vertical pipe, flow direction in normal operation should open the disc, and inlet pressure should be greater than head pressure.

Specifications

Valve shall be manufactured of cast iron. Valve shall be pressure rated to 200psi and have a conical spring design to allow for a greater flow coefficient. Valve shall be an Ames Fire & Water Series ACVW-125.

Job Name _____ Contractor _____

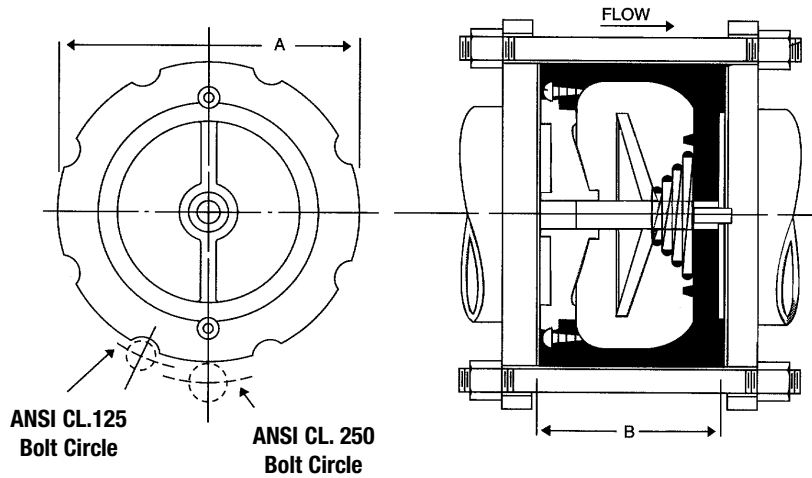
Job Location _____ Approval _____

Engineer _____ Contractor's P.O. No. _____

Approval _____ Representative _____

Ames product specifications in U.S. customary units and metric are approximate and are provided for reference only. For precise measurements, please contact Ames Technical Service. Ames reserves the right to change or modify product design, construction, specifications, or materials without prior notice and without incurring any obligation to make such changes and modifications on Ames products previously or subsequently sold.

Dimensions – Weights



Note: bolts and flanges not included.

SIZE		DIMENSIONS				CV	WEIGHTS	
in.	mm	A		B		Rating	lbs.	kg.
		in.	mm	in.	mm			
2	50	4¼	108	2⅝	67	50	5	2.3
2½	65	5	127	2⅝	73	72	7	3.2
3	80	5¾	146	3¼	83	92	11	5.0
4	100	7	178	4	102	180	18	8.2
5	125	8⅝	213	4⅝	117	276	25	11.3
6	150	9¾	248	6½	165	408	36	16.3
8	200	13⅜	340	6½	165	720	80	36.2
10	250	16	406	8½	216	1080	129	58.6



A Division of Watts Regulator Company

IMPORTANT: Inquire with governing authorities for local installation requirements.

www.amesfirewater.com



1427 North Market Blvd. • Suite #9 • Sacramento, CA 95834 • Phone: 916-928-0123 • Fax: 916-928-9333