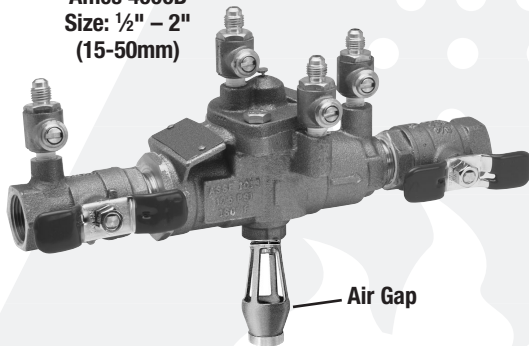




# Air Gaps, Elbows and Test Cocks

**Ames 4000B**  
Size: 1/2" - 2"  
(15-50mm)



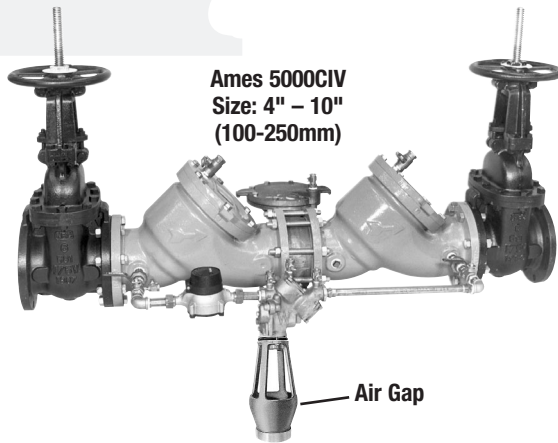
Air Gap

## Air Gaps

The Ames Air Gap Drain is designed to collect water that is being discharged by the relief valve, due to minor check valve fouling and/or to line pressure fluctuations.

**Note: The Air Gap Drain is not designed to collect the full discharge capacity of the relief valve.**

**Ames 5000CIV**  
Size: 4" - 10"  
(100-250mm)

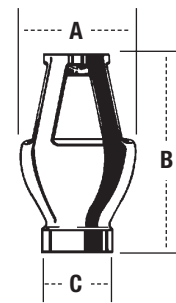


Air Gap

**Ames 400/500**  
Air Gap  
2 1/2" - 10"



Splash Guard



**Ames 4000SS**  
Size: 2 1/2" - 10"  
(65-250mm)



Plastic Air Gap

ORDERING CODE	SIZES/SERIES	DIMENSIONS						WEIGHT	
		A		B		C		lbs	kgs
		in.	mm	in.	mm	in.	mm		
7014267	1/2", 3/4" 4000B	2 3/8	60	3 1/8	79	1/2	13	.63	.28
0691853	1", 1 1/4", 1 1/2" 4000B	3 1/4	83	4 7/8	124	1	25	1.50	.68
0691866	2" 4000B	4 3/8	111	6 3/4	171	2	51	3.25	1.47
0691842	2 1/2" - 10" 4000SS/5000SS	8	203	11 1/4	286	2	51	1.50	0.68
7014384	3" - 6" 4001/5001	8	203	11 1/4	286	5 3/4	146	1.50	0.68
7017299	4" - 10" 4000CIV	6 3/8	162	9 5/8	244	3	76	6.25	2.83
0690511	2 1/2" - 6" 4000SS vertical	8	203	9 1/4	235	2 3/4	70	10.3	4.67
7011361	4000RP/5000RPDA (epoxy)	10 3/4	273	6 1/4	159	2 5/8	67	6.7	3.04
7018367	2 1/2" - 10" 400/500 w/Splash Guard	7 1/2	190	10 3/16	258	2	51	1.5	.68
7018894	2 1/2" - 10" 400/500 Splash Guard	4 11/16	119	2 7/16	62	—	—	.5	.23
0064661	3/4"-1" 400B AG	2 3/8	60	3 1/8	79	1/2	13	0.63	0.28
0064662	1 1/4"-2" 400B AG	4 3/8	111	8 1/2	216	2	51	3.5	1.6

Job Name \_\_\_\_\_ Contractor \_\_\_\_\_

Job Location \_\_\_\_\_ Approval \_\_\_\_\_

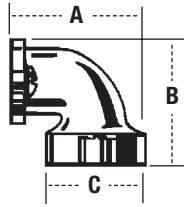
Engineer \_\_\_\_\_ Contractor's P.O. No. \_\_\_\_\_

Approval \_\_\_\_\_ Representative \_\_\_\_\_

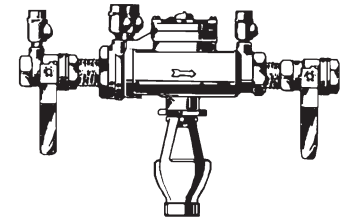
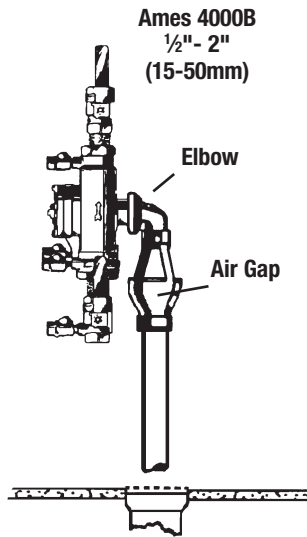
Ames product specifications in U.S. customary units and metric are approximate and are provided for reference only. For precise measurements, please contact Ames Technical Service. Ames reserves the right to change or modify product design, construction, specifications, or materials without prior notice and without incurring any obligation to make such changes and modifications on Ames products previously or subsequently sold.

# Vent Elbows

Used with Ames air gaps for vertical installation of reduced pressure zone assemblies.



ORDERING CODE	SIZES/SERIES	DIMENSIONS						WEIGHT	
		A		B		C		lbs	kgs
		in.	mm	in.	mm	in.	mm		
7012798	1/2" - 3/4" 4000B	—	—	—	—	—	—	—	—
7012799	1", 1 1/4", 1 1/2" 4000B	2 3/8	60	2 3/8	60	—	—	.38	.17
7016586	2" 4000B	3 3/8	92	3 3/8	92	—	—	2	.91



### Horizontal Installation

The air gap is easily installed to the bottom of the Series 4000B backflow assembly by attaching it to the outlet of the relief valve using screws.

**IMPORTANT:**  
Inquire with governing authorities for local installation requirements.

### Vertical (Up) Installation of Backflow Preventer

For vertical installations use the optional elbows as shown.

### Stainless Steel Elbow Kits

ORDERING CODE	DESCRIPTION	SIZE
0691878	for N and Z pattern valves	3"
0691879		4"
0691880		6"
0691881		8"

Kits consist of: (2) Elbows, Nut, Bolts, Gaskets and Ring gaskets.

### Cast Iron Elbow Kits - for N pattern Colt & Maxim Series 200 & 300

ORDERING CODE	SIZE
7018538	2 1/2"
7018539	3"
7018540	4"
7018541	6"
7018542	8"
7018543	10" **

\*\*Kits not available for Butterfly valve units  
Kits consist of: \*(2) grv x grv elbows and (2) Groove Couplers

### Cast Iron Elbow Kits - for N and Z pattern Colt & Maxim Series 400 & 500

ORDERING CODE	SIZE
7018544	2 1/2"
7018545	3"
7018546	4"
7018547	6"
7018548	8"
7018549	10" **

\*\*Kits not available for Butterfly valve units  
Kits consist of: \*(2) grv x grv elbows and (2) Groove Couplers

# Cap & Tether

### Plastic cap and tether

(four required per backflow preventer)

- Fits 1/4" female test cocks
- Plastic dust cap and rubber tether
- ARK-TC/Ames - 1/8" - 1/4" (7017626)



### SAE Brass Cap, O-ring and tether

(four required per backflow preventer)

- Fits 1/8" male x SAE test cocks
- Brass dust cap with O-ring seal and rubber tether
- ARK-SAE-TC/Ames (7017249)



# Test Cocks

For use with backflow preventers, isolation valve for gauges, isolation valves for small equipment lines.

### TC/Ames

- Full port ball valve design
- Screw driver slot to open and close
- Available 1/8" male x 1/4" female - 1/8 TC/Ames (7017250) or 1/4" male x 1/4" female - 1/4" TC/Ames (7017251)



### SAE-TC/Ames

- Full port ball valve design
- Screwdriver slot operation
- Available 1/8" male x SAE - SAE TC/Ames (7017248)



### SAE-TC Adapter/Ames

- 1/4" female SAE x 7/16" FPT
- Adapts to SAE-TC for use with pressure gauges or site tube
- SAE-TC Adapter/Ames (7017627) (not shown)

### 1/2" TC Kit for Ames Colt/Maxim Series

- Fits 2 1/2"-4" Colt/Maxim Series
- Ordering Code: 7018394

### 3/4" TC Kit for Ames Colt/Maxim Series

- Fits 6"-10" Colt/Maxim Series
- Ordering Code: 7018395



A Division of Watts Regulator Company

www.amesfirewater.com



1427 North Market Blvd. • Suite #9 • Sacramento, CA 95834 • Phone: 916-928-0123 • Fax: 916-928-9333

ES-A-AG/EL/TC 0708

©Ames Co. 2007