

For Commercial Applications

Job Name _____

Contractor _____

Job Location _____

Approval _____

Engineer _____

Contractor's P.O. No. _____

Approval _____

Representative _____

Tag _____

BCO-110

Floor Cleanout with Square Top, Pull Nipple

Specification

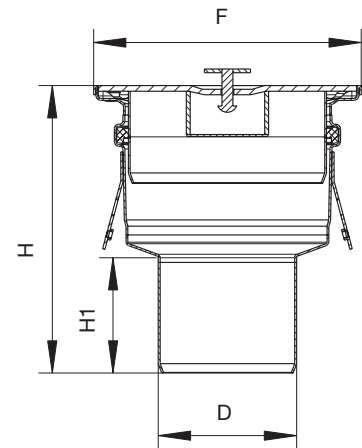
BLÜCHER BCO-110 AISI Type 304 stainless steel floor cleanout w/gasket seal square top, pull nipple for cover removal, and spigot connection.



BCO-110

Dimensions

Model No.	Global Part #	Pipe Size D	Top Size F	H	H1
BCO-113	144.150.075	3"(75)	5 3/4"x5 3/4"(145x145)	6 3/16"(156)	2 1/2"(63)
* BCO-114	144.150.110	4"(110)	5 3/4"x5 3/4"(145x145)	4 3/4"(120)	-
* BCO-116	144.200.160	6"(160)	8"x8"(200x200)	6 1/4"(159)	-



Suffix	Options Description
-316	Type 316 Stainless Steel <input type="checkbox"/>

Approvals



Compliance with NSF/ANSI/3-A 14159-1-Hygiene Requirements for the Design of Meat and Poultry Processing Equipment



* Product is certified to the uniform plumbing code ASME A112.6.3

NOTICE

The information contained herein is not intended to replace the full product installation and safety information available or the experience of a trained product installer. You are required to thoroughly read all installation instructions and product safety information before beginning the installation of this product.



A WATTS Brand