

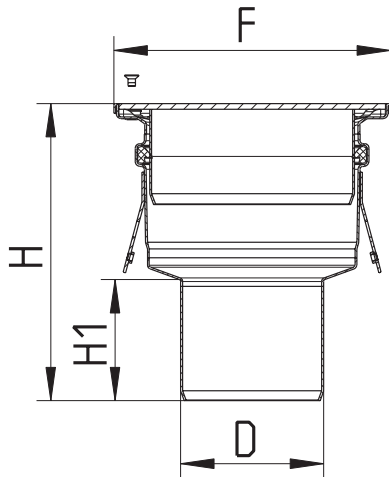
SPECIFICATION: BLÜCHER BCO-120 AISI Type 304 stainless steel floor cleanout w/gasket seal square top for vacuum handle cover removal, and spigot connection.



Options		
Suffix	Description	
-316	Type 316 Stainless Steel	<input type="checkbox"/>
-VH4	Small Vacuum Handle	<input type="checkbox"/>
-VH6	Large Vacuum Handle	<input type="checkbox"/>

Load Rating
*MD

* The load classifications are in accordance with the American National Standards ASME A112.21.1M ASME Ratings are as follows:
 MD - Safe Live Load 2000-4999 lbs.(900-2250kg)
 The above categories are given as a guide only. Please consult factory.



BFD-VH4



BFD-VH6

Dimensional Chart

Model No.	Pipe Size D	Top Size F	H	H1
BCO-123	3"(75)	5-3/4"x5-3/4"(145x145)	6-3/16"(156)	2-1/2"(63)
BCO-124	4"(110)	5-3/4"x5-3/4"(145x145)	4-3/4"(120)	-
BCO-126	6"(160)	8"x8"(200x200)	6-1/4"(159)	-

Global Ref. # 144.155.XXX/144.205.XXX

Job Name _____ Contractor _____

Job Location _____ Approval _____

Engineer _____ Contractor's P.O. No. _____

Approval _____ Representative _____



A Watts Water Technologies Company



USA: 100 Watts Road, Spindale, NC, 28160-2298; www.blucherdrains.com

Canada: 5435 North Service Rd., Burlington, ONT. L7L 5H7; www.blucherdrains.ca