

For Commercial Applications

Job Name _____

Contractor _____

Job Location _____

Approval _____

Engineer _____

Contractor's P.O. No. _____

Approval _____

Representative _____

Tag _____

BCO-150

Heavy Duty Floor Cleanout with Round Top for Vacuum Handle

Specification

BLÜCHER BCO-150 AISI Type 304 stainless steel heavy duty floor cleanout w/gasket seal round top for vacuum handle cover removal and spigot connection.

Dimensions

Model No.	Global Part #	Pipe Size		
		D	H	H1
BCO-153	S199-13488-05-S	3"(75)	6"(156)	2 1/2"(63)
*BCO-154	S199-13488-02-S	4"(110)	7 1/8"(181)	-

Options			
Suffix	Description		
-316	Type 316 Stainless Steel	<input type="checkbox"/>	
-VH4	Small Vacuum Handle	<input type="checkbox"/>	
-VH6	Large Vacuum Handle	<input type="checkbox"/>	

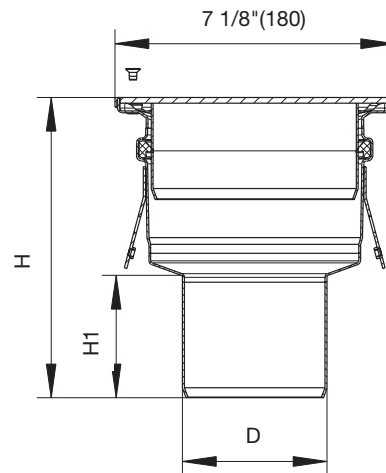
Load Rating
HD

NOTICE

The load classifications are in accordance with the American National Standards ASME A112.21.1M ASME Ratings are as follows: HD - Safe Live Load 5000-7499 lbs.(2250-3375 kg) The above categories are given as a guide only. Please consult factory.

NOTICE

The information contained herein is not intended to replace the full product installation and safety information available or the experience of a trained product installer. You are required to thoroughly read all installation instructions and product safety information before beginning the installation of this product.



Approvals



Compliance with NSF/ANSI/3-A 14159-1-Hygiene Requirements for the Design of Meat and Poultry Processing Equipment



* Product is certified to the uniform plumbing code ASME A112.6.3



A WATTS Brand