

Engineering Specification

Job Name _____

Contractor _____

Job Location _____

Approval _____

Engineer _____

Contractor's P.O. No. _____

Approval _____

Representative _____

Tag _____

BCO-210 Floor Cleanout with Surface Membrane Clamp, Pull Nipple Specification

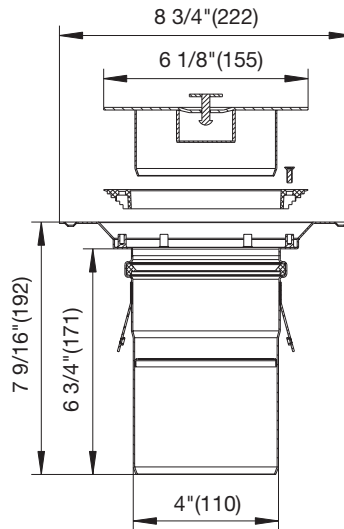
BLÜCHER BCO-210 AISI Type 316 stainless steel floor cleanout w/gasket seal round top w/surface membrane clamp, pull nipple for cover removal, and no hub pipe connection.

Dimensions

Model No.	Global Part #
BCO-214-316	244.150.110 S



BCO-210



NOTICE

The information contained herein is not intended to replace the full product installation and safety information available or the experience of a trained product installer. You are required to thoroughly read all installation instructions and product safety information before beginning the installation of this product.



A **WATTS Brand**