

**For Commercial Applications**

Job Name \_\_\_\_\_

Contractor \_\_\_\_\_

Job Location \_\_\_\_\_

Approval \_\_\_\_\_

Engineer \_\_\_\_\_

Contractor's P.O. No. \_\_\_\_\_

Approval \_\_\_\_\_

Representative \_\_\_\_\_

Tag \_\_\_\_\_

# BCO-220

## Floor Cleanout with Surface Membrane Clamp, (For Rubberized Sheet Flooring) Specification

BLÜCHER BCO-220 AISI Type 304 stainless steel floor cleanout w/gasket seal round top w/surface membrane clamp for vacuum handle cover removal, and spigot connection.

### Dimensions

Model No.	Global Part #
BCO-224	244.155.110

Options		
Suffix	Description	
-316	Type 316 Stainless Steel	<input type="checkbox"/>
-VH4	Small Vacuum Handle	<input type="checkbox"/>
-VH6	Large Vacuum Handle	<input type="checkbox"/>



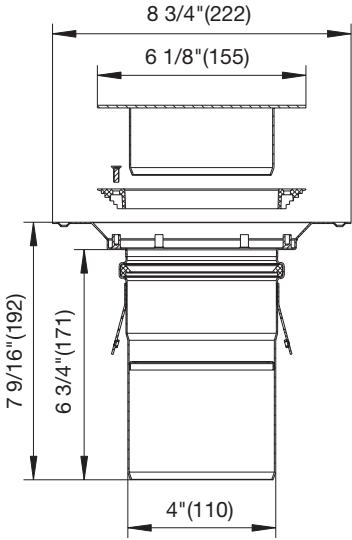
BCO-220



BFD-VH4



BFD-VH6



### Approvals



Compliance with NSF/ANSI/3-A 14159-1-Hygiene Requirements for the Design of Meat and Poultry Processing Equipment



**NOTICE**

The information contained herein is not intended to replace the full product installation and safety information available or the experience of a trained product installer. You are required to thoroughly read all installation instructions and product safety information before beginning the installation of this product.



A WATTS Brand