

For Commercial Applications

Job Name _____ Contractor _____

Job Location _____ Approval _____

Engineer _____ Contractor's P.O. No. _____

Approval _____ Representative _____

Tag _____

BFD-110

Adjustable Floor Drain with 8"x8" Square Top, Membrane Clamp, Bottom Outlet



BFD-110




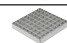

Specification

BLÜCHER BFD-110 AISI Type 304 stainless steel adjustable floor drain with 8"x8"(200x200) square top, membrane clamping flange, 1/8"(3) grating (standard), and bottom outlet.

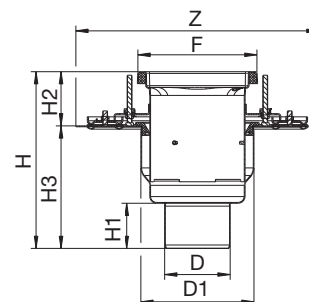
Dimensions

Model No.	Global Part #	Pipe Size		Top Size		H Adjustable	H1	H2 Adjustable	H3
		D	D1	F	Z				
BFD-113	775.402.075	3"(75)	7-1/2"(190)	8"x8"(200x200)	16-1/8"(409)	11-1/4"(286)- 13-5/8"(346)	2-9/16"(65)	3-5/8"(91)- 6"(151)	7-11/16"(195)
*BFD-114	775.402.110	4"(110)	7-1/2"(190)	8"x8"(200x200)	16-1/8"(409)	11-11/16"(297)- 14-1/16"(357)	3"(76)	3-5/8"(91)- 6"(151)	8-1/8"(206)

Options (Select One Or More)		
Suffix	Description	
-150	1/2 Grate (Standard Grating)	<input type="checkbox"/>
-175	3/4 Grate (Standard Grating)	<input type="checkbox"/>
-316	Type 316 Stainless Steel	<input type="checkbox"/>
-B	Sediment Basket	<input type="checkbox"/>
-P	Stainless Steel P-Trap	<input type="checkbox"/>
-R	8" Round Top	<input type="checkbox"/>
-SB	Sand Bucket	<input type="checkbox"/>
-TPT	Trap Primer Tapping	<input type="checkbox"/>
-VP	Grate Secured w/Vandal Proof Screws	<input type="checkbox"/>

Optional Gratings (Select One)			
	Suffix	Description	
	-None	1/8" (Standard)	<input type="checkbox"/>
	-HG	Hygienic-Pro	<input type="checkbox"/>
	-LG	Ladder	<input type="checkbox"/>
	-MG	Mesh	<input type="checkbox"/>
	-SG	Slot	<input type="checkbox"/>

Please see ES-B-Commercial/Industrial Square Gratings for more information.



Approvals



Compliance with NSF/ANSI/3-A 14159-1-Hygiene Requirements for the Design of Meat and Poultry Processing Equipment



* Product is certified to the uniform plumbing code ASME A112.6.3

NOTICE

The information contained herein is not intended to replace the full product installation and safety information available or the experience of a trained product installer. You are required to thoroughly read all installation instructions and product safety information before beginning the installation of this product.



A WATTS Brand