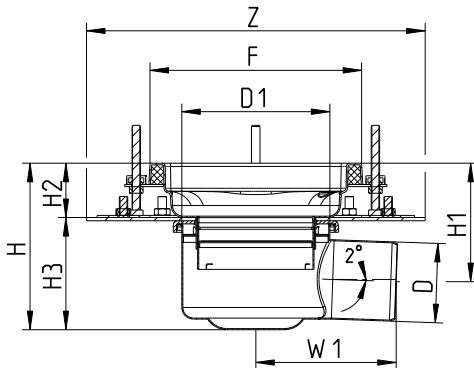


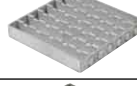
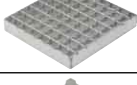



SPECIFICATION: BLÜCHER BFD-120-SO AISI Type 304 stainless steel adjustable floor drain with 8"x8" (200x200) square top, membrane clamping flange, 1/8" (3) grating (standard), and no hub side outlet.



Side Outlet



Optional Gratings			
Suffix	Description		
	-None	1/8" (Standard)	<input type="checkbox"/>
	-HG	Hygenic-Pro	<input type="checkbox"/>
	-LG	Ladder	<input type="checkbox"/>
	-MG	Mesh	<input type="checkbox"/>
	-SG	Slot	<input type="checkbox"/>

Options			
Suffix	Description		
-316	Type 316 Stainless Steel		<input type="checkbox"/>
-B	Sediment Basket		<input type="checkbox"/>
-P	Stainless Steel P-Trap		<input type="checkbox"/>
-SB	Sand Bucket		<input type="checkbox"/>
-TPT	Trap Primer Tapping		<input type="checkbox"/>
-VP	Grate Secured w/Vandal Proof Screws		<input type="checkbox"/>
-W	Water Trap		<input type="checkbox"/>

Dimensional Chart

Model No.	Pipe Size <i>D</i>	<i>D1</i>	Top Size <i>F</i>	<i>Z</i>	<i>H</i> Adjustable	<i>H1</i> Adjustable	<i>H2</i> Adjustable	<i>H3</i> Adjustable	<i>W1</i>
BFD-123-SO	3" (75)	5-1/2" (140)	8"x8" (200x200)	12-5/8" (320)	6-3/16" (157)- 7-11/16" (195)	4-7/16" (112)- 5-15/16" (150)	2-1/16" (51)- 3-1/4" (81)	4-3/16" (106)- 4-1/2" (114)	5-1/4" (133)

Job Name _____ Contractor _____
 Job Location _____ Approval _____
 Engineer _____ Contractor's P.O. No. _____
 Approval _____ Representative _____