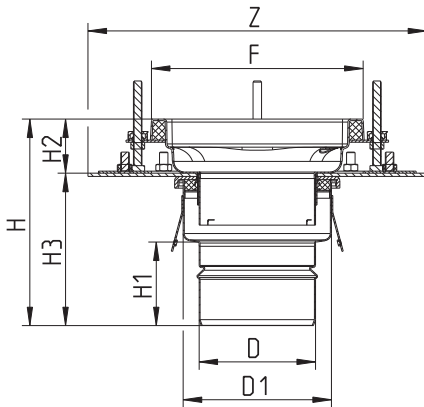


Tag: \_\_\_\_\_

**SPECIFICATION:** BLÜCHER BFD-120 AISI Type 304 stainless steel adjustable floor drain with 8"x8" (200x200) square top, membrane clamping flange, 1/8" (3) grating (standard), and no hub bottom outlet.



**Bottom Outlet**



Optional Gratings			
	Suffix	Description	
	-None	1/8" (Standard)	<input type="checkbox"/>
	-HG	Hygenic-Pro	<input type="checkbox"/>
	-LG	Ladder	<input type="checkbox"/>
	-MG	Mesh	<input type="checkbox"/>
	-SG	Slot	<input type="checkbox"/>

Options		
Suffix	Description	
-316	Type 316 Stainless Steel	<input type="checkbox"/>
-B	Sediment Basket	<input type="checkbox"/>
-P	Stainless Steel P-Trap	<input type="checkbox"/>
-SB	Sand Bucket	<input type="checkbox"/>
-TPT	Trap Primer Tapping	<input type="checkbox"/>
-VP	Grate Secured w/Vandal Proof Screws	<input type="checkbox"/>
-W	Water Trap	<input type="checkbox"/>

#### Dimensional Chart

Model No.	Pipe Size D	D1	Top Size F	Z	H Adjustable	H1	H2 Adjustable	H3 Adjustable
BFD-123	3"(75)	5-1/2"(140)	8"x8"(200x200)	12-5/8"(320)	8-15/16"(227)- 10-7/16"(265)	2-1/2"(63)	2-1/16"(51)-3- 1/4"(81)	6-15/16"(176)- 7-1/4"(184)
BFD-124	4"(110)	5-1/2"(140)	8"x8"(200x200)	12-5/8"(320)	8-1/16"(205)- 9-9/16"(243)	3-1/8"(79)	2-1/16"(51)-3- 1/4"(81)	5-11/16"(144)- 6"(152)

Job Name \_\_\_\_\_ Contractor \_\_\_\_\_  
 Job Location \_\_\_\_\_ Approval \_\_\_\_\_  
 Engineer \_\_\_\_\_ Contractor's P.O. No. \_\_\_\_\_  
 Approval \_\_\_\_\_ Representative \_\_\_\_\_