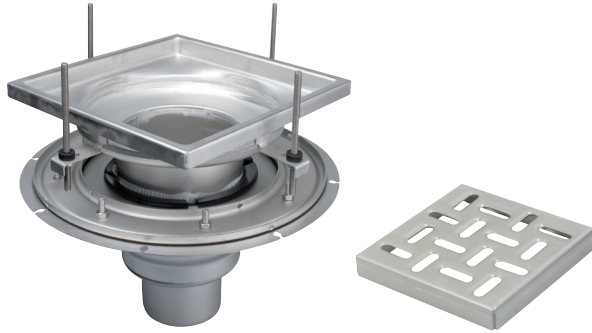
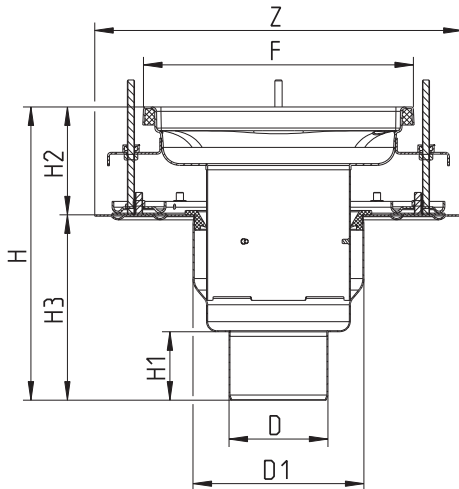


Tag: _____

SPECIFICATION: BLÜCHER BFD-140 AISI Type 304 stainless steel adjustable floor drain with 12"x12" (300x300) square top, membrane clamping flange, 1/8" (3) grating (standard), and no hub bottom outlet.



Bottom Outlet



Dimensional Chart

Model No.	Pipe Size D	D1	Top Size F	Z	H Adjustable	H1	H2 Adjustable	H3
BFD-143	3"(75)	7-1/2"(190)	12"x12"(300x300)	16-1/8"(409)	12-3/8"(315)- 14-3/4"(375)	2-9/16"(65)	4-3/4"(120)- 7-1/16"(180)	7-11/16"(195)
BFD-144	4"(110)	7-1/2"(190)	12"x12"(300x300)	16-1/8"(409)	12-13/16"(326)- 15-3/16"(386)	3"(76)	4-3/4"(120)- 7-1/16"(180)	8-1/8"(206)

Optional Gratings			
Suffix	Description		
	-None	1/8" (Standard)	<input type="checkbox"/>
	-HG	Hygenic-Pro	<input type="checkbox"/>
	-LG	Ladder	<input type="checkbox"/>
	-MG	Mesh	<input type="checkbox"/>
	-SG	Slot	<input type="checkbox"/>

Options		
Suffix	Description	
-316	Type 316 Stainless Steel	<input type="checkbox"/>
-B	Sediment Basket	<input type="checkbox"/>
-P	Stainless Steel P-Trap	<input type="checkbox"/>
-SB	Sand Bucket	<input type="checkbox"/>
-TPT	Trap Primer Tapping	<input type="checkbox"/>
-VP	Grate Secured w/Vandal Proof Screws	<input type="checkbox"/>
-W	Water Trap	<input type="checkbox"/>

Job Name _____ Contractor _____
 Job Location _____ Approval _____
 Engineer _____ Contractor's P.O. No. _____
 Approval _____ Representative _____



A Watts Water Technologies Company



USA: 100 Watts Road, Spindale, NC, 28160-2298; www.blucherdrains.com
Canada: 5435 North Service Rd., Burlington, ONT. L7L 5H7; www.blucherdrains.ca