

For Commercial Applications

Job Name _____ Contractor _____
 Job Location _____ Approval _____
 Engineer _____ Contractor's P.O. No. _____
 Approval _____ Representative _____
 Tag _____

BFD-210-R

Adjustable Floor Drain with 8" Round Top, Bottom Outlet

Specification

BLÜCHER BFD-210-R AISI TYPE 304 stainless steel adjustable floor drain with 8"(203) round top, 1/8"(3) grating (standard), and bottom outlet.

Dimensions

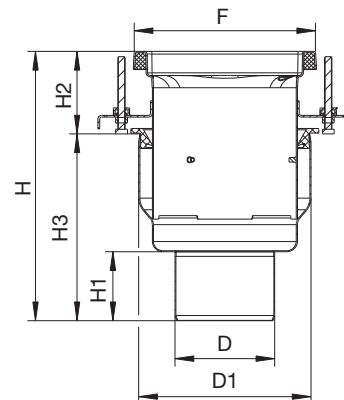
Model No.	Upper Lower	Pipe Size D	D1	Top Size F	H Adjustable	H1	H2 Adjustable	H3
BFD-213-R	774.502.000 760.002.075	3"(75)	7 1/2"(190)	8" (200)	11 1/4"(286) 13 5/8"(346)	29/16"(65)	3 5/8"(91) 6"(151)	7 11/16"(195)
*BFD-214-R	774.402.000 760.002.110	4"(110)	7 1/2"(190)	8" (200)	11 11/16"(297) 14 1/16"(357)	3"(76)	3 5/8"(91) 6"(151)	8 1/8"(206)

Optional Gratings			
Image	Suffix	Description	Check
	-None	1/8" (Standard)	<input type="checkbox"/>
	-HG	Hygienic-Pro	<input type="checkbox"/>
	-LG	Ladder	<input type="checkbox"/>
	-MG	Mesh	<input type="checkbox"/>
	-SG	Slot	<input type="checkbox"/>

Options		
Suffix	Description	Check
-150	1/2 Grate (Standard Grating)	<input type="checkbox"/>
-175	3/4 Grate (Standard Grating)	<input type="checkbox"/>
-316	Type 316 Stainless Steel	<input type="checkbox"/>
-B	Sediment Basket	<input type="checkbox"/>
-P	Stainless Steel P-Trap	<input type="checkbox"/>
-R	8" Round Top	<input type="checkbox"/>
-SB	Sand Bucket	<input type="checkbox"/>
-TPT	Trap Primer Tapping	<input type="checkbox"/>
-VP	Grate Secured w/Vandal Proof Screws	<input type="checkbox"/>



BFD-210-R



Please see ES-B-Commercial/Industrial Round Gratings for more information.

NOTICE

The information contained herein is not intended to replace the full product installation and safety information available or the experience of a trained product installer. You are required to thoroughly read all installation instructions and product safety information before beginning the installation of this product.

Approvals



Compliance with NSF/ANSI/3-A 14159-1-Hygiene Requirements for the Design of Meat and Poultry Processing Equipment



* Product is certified to the uniform plumbing code ASME A112.6.3



A WATTS Brand