

## For Commercial Applications

Job Name \_\_\_\_\_ Contractor \_\_\_\_\_

Job Location \_\_\_\_\_ Approval \_\_\_\_\_

Engineer \_\_\_\_\_ Contractor's P.O. No. \_\_\_\_\_

Approval \_\_\_\_\_ Representative \_\_\_\_\_

Tag \_\_\_\_\_

# BFD-210-SO

## Adjustable Floor Drain with 8"x8"


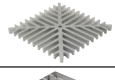
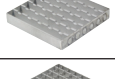
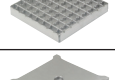

### Square Top, Side Outlet

#### Specification

BLÜCHER BFD-210-SO AISI TYPE 304 stainless steel adjustable floor drain with 8"x8"(200x200) square top, 1/8"(3) grating (standard), and side outlet.

#### Dimensions

Model No.	Global Part # Upper Lower	Pipe Size D	H1 Adjustable	W1	Total Height Adj.
BFD-213-SO	774.402.000 763.002.075	- 3"(75)	- 7"(179)	- 9"(250)	14 9/16"(370)- 16 15/16"(430)
* BFD-214-SO	774.402.000 763.002.110	- 4 1/4"(110)	- 6 1/4"(160)	- 6"(153)	10 29/32"(277)- 13 17/64"(337)

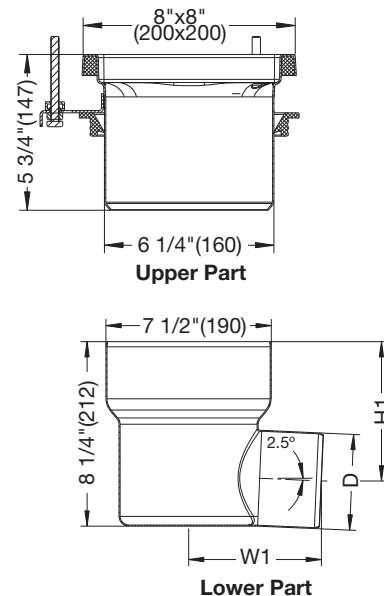
Optional Gratings			
	-None	1/8"(Standard)	<input type="checkbox"/>
	-HG	Hygienic-Pro	<input type="checkbox"/>
	-LG	Ladder	<input type="checkbox"/>
	-MG	Mesh	<input type="checkbox"/>
	-SG	Slot	<input type="checkbox"/>

Please see ES-B-Commercial/Industrial Square Gratings for more information.

Options (Select One Or More)		
Suffix	Description	
-150	1/2 Grate (Standard Grating)	<input type="checkbox"/>
-175	3/4 Grate (Standard Grating)	<input type="checkbox"/>
-316	Type 316 Stainless Steel	<input type="checkbox"/>
-B	Sediment Basket	<input type="checkbox"/>
-P	Stainless Steel P-Trap	<input type="checkbox"/>
-R	8" Round Top	<input type="checkbox"/>
-SB	Sand Bucket	<input type="checkbox"/>
-TPT	Trap Primer Tapping	<input type="checkbox"/>
-VP	Grate Secured w/Vandal Proof Screws	<input type="checkbox"/>



**BFD-210-SO**



#### Approvals



Compliance with NSF/ANSI/3-A 14159-1-Hygiene Requirements for the Design of Meat and Poultry Processing Equipment



\*Product is certified to the uniform plumbing code ASME A112.6.3

#### NOTICE

The information contained herein is not intended to replace the full product installation and safety information available or the experience of a trained product installer. You are required to thoroughly read all installation instructions and product safety information before beginning the installation of this product.



**A WATTS Brand**