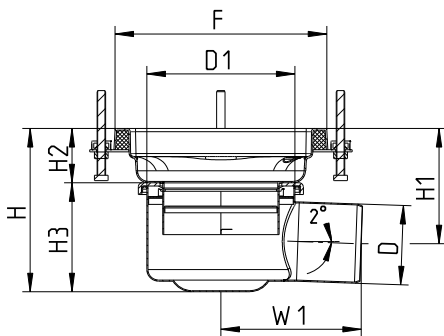


**SPECIFICATION:** BLÜCHER BFD-220-SO AISI Type 304 stainless steel on-grade adjustable floor drain with 8"x8"(200x200) square top, 1/8"(3) grating (standard), and no hub side outlet.



Side Outlet



Optional Gratings			
	Suffix	Description	
	-None	1/8" (Standard)	<input type="checkbox"/>
	-HG	Hygenic-Pro	<input type="checkbox"/>
	-LG	Ladder	<input type="checkbox"/>
	-MG	Mesh	<input type="checkbox"/>
	-SG	Slot	<input type="checkbox"/>

Options		
Suffix	Description	
-316	Type 316 Stainless Steel	<input type="checkbox"/>
-B	Sediment Basket	<input type="checkbox"/>
-P	Stainless Steel P-Trap	<input type="checkbox"/>
-SB	Sand Bucket	<input type="checkbox"/>
-TPT	Trap Primer Tapping	<input type="checkbox"/>
-VP	Grate Secured w/Vandal Proof Screws	<input type="checkbox"/>
-W	Water Trap	<input type="checkbox"/>

#### Dimensional Chart

Model No.	Pipe Size <i>D</i>	<i>D1</i>	Top Size <i>F</i>	<i>H</i> Adjustable	<i>H1</i> Adjustable	<i>H2</i> Adjustable	<i>H3</i>	<i>W1</i>
BFD-223-SO	3"(75)	5-1/2"(140)	8"x8"(200x200)	6-1/8"(154)- 7-1/4"(184)	4-5/16"(109)- 5-1/2"(139)	2-1/16"(51)- 3-1/4"(81)	4-1/16"(103)	5-1/4"(133)

Job Name \_\_\_\_\_ Contractor \_\_\_\_\_  
 Job Location \_\_\_\_\_ Approval \_\_\_\_\_  
 Engineer \_\_\_\_\_ Contractor's P.O. No. \_\_\_\_\_  
 Approval \_\_\_\_\_ Representative \_\_\_\_\_