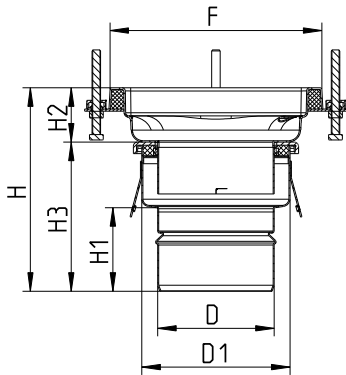


SPECIFICATION: BLÜCHER BFD-220 AISI Type 304 stainless steel on-grade adjustable floor drain with 8"x8" (200x200) square top, 1/8" (3) grating (standard), and no hub bottom outlet.



Bottom Outlet



Optional Gratings			
	Suffix	Description	
	-None	1/8" (Standard)	<input type="checkbox"/>
	-HG	Hygienic-Pro	<input type="checkbox"/>
	-LG	Ladder	<input type="checkbox"/>
	-MG	Mesh	<input type="checkbox"/>
	-SG	Slot	<input type="checkbox"/>

Options		
Suffix	Description	
-316	Type 316 Stainless Steel	<input type="checkbox"/>
-B	Sediment Basket	<input type="checkbox"/>
-P	Stainless Steel P-Trap	<input type="checkbox"/>
-SB	Sand Bucket	<input type="checkbox"/>
-TPT	Trap Primer Tapping	<input type="checkbox"/>
-VP	Grate Secured w/Vandal Proof Screws	<input type="checkbox"/>
-W	Water Trap	<input type="checkbox"/>

Dimensional Chart

Model No.	Pipe Size <i>D</i>	<i>D1</i>	Top Size <i>F</i>	<i>H</i> Adjustable	<i>H1</i>	<i>H2</i> Adjustable	<i>H3</i>
BFD-223	3"(75)	5-1/2"(140)	8"x8"(200x200)	9-3/16"(224)- 10"(254)	2-1/2"(63)	2-1/16"(51)- 3-1/4"(81)	6-13/16"(173)
BFD-224	4"(110)	5-1/2"(140)	8"x8"(200x200)	7-9/16"(192)- 8-3/4"(222)	3-1/8"(79)	2-1/16"(51)- 3-1/4"(81)	5-9/16"(141)

Job Name _____ Contractor _____
 Job Location _____ Approval _____
 Engineer _____ Contractor's P.O. No. _____
 Approval _____ Representative _____



A Watts Water Technologies Company



USA: 100 Watts Road, Spindale, NC, 28160-2298; www.blucherdrains.com
Canada: 5435 North Service Rd., Burlington, ONT. L7L 5H7; www.blucherdrains.ca