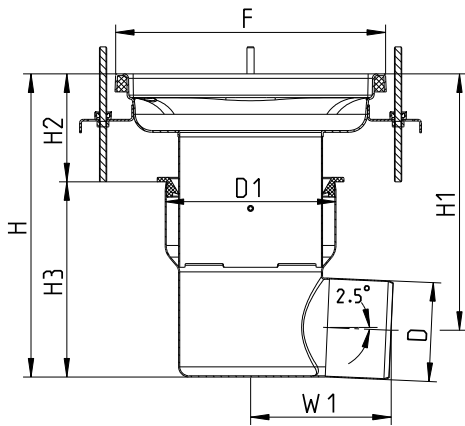


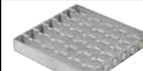




SPECIFICATION: BLÜCHER BFD-240-SO AISI Type 304 stainless steel on-grade adjustable floor drain with 12"x12" (300x300) square top, 1/8" (3) grating (standard), and no hub side outlet.



Side Outlet



Optional Gratings			
Suffix	Description		
	-None	1/8" (Standard)	<input type="checkbox"/>
	-HG	Hygenic-Pro	<input type="checkbox"/>
	-LG	Ladder	<input type="checkbox"/>
	-MG	Mesh	<input type="checkbox"/>
	-SG	Slot	<input type="checkbox"/>

Options		
Suffix	Description	
-316	Type 316 Stainless Steel	<input type="checkbox"/>
-B	Sediment Basket	<input type="checkbox"/>
-P	Stainless Steel P-Trap	<input type="checkbox"/>
-SB	Sand Bucket	<input type="checkbox"/>
-TPT	Trap Primer Tapping	<input type="checkbox"/>
-VP	Grate Secured w/Vandal Proof Screws	<input type="checkbox"/>
-W	Water Trap	<input type="checkbox"/>

Dimensional Chart

Model No.	Pipe Size <i>D</i>	<i>D1</i>	Top Size <i>F</i>	<i>H</i> Adjustable	<i>H1</i> Adjustable	<i>H2</i> Adjustable	<i>H3</i>	<i>W1</i>
BFD-243-SO	3"(75)	7-1/2"(190)	12"x12"(300x300)	13-1/4"(337)- 15-5/8"(397)	12"(304)- 14-5/16"(364)	4-3/4"(120)- 7-1/16"(180)	8-9/16"(217)	9-15/16"(253)
BFD-244-SO	4"(110)	7-1/2"(190)	12"x12"(300x300)	13-1/4"(337)- 15-5/8"(397)	11-1/4"(285)- 15-9/16"(345)	4-3/4"(120)- 7-1/16"(180)	8-9/16"(217)	6-3/16"(156)

Job Name _____ Contractor _____
 Job Location _____ Approval _____
 Engineer _____ Contractor's P.O. No. _____
 Approval _____ Representative _____