

Engineering Specification

Job Name _____
 Job Location _____
 Engineer _____
 Approval _____
 Tag _____

Contractor _____
 Approval _____
 Contractor's P.O. No. _____
 Representative _____

BFD-570 HygienicPro® Processing Drain with 12" Round Top, Bottom Outlet

Specification

BLÜCHER HygienicPro® BFD-570 AISI Type 304 stainless steel processing drain with smooth interior, 12"(300) round top, AISI 304 stainless steel CF-8 cast grating, and bottom outlet.

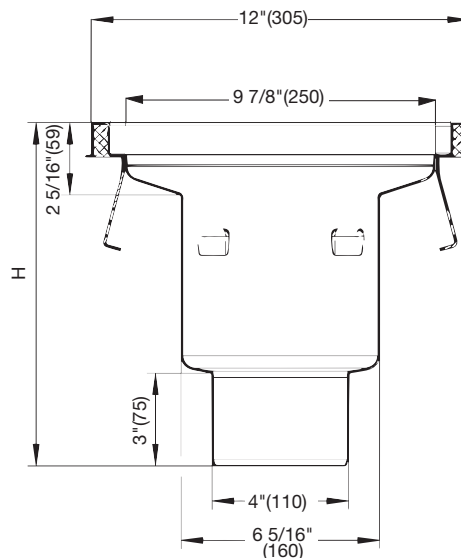


BFD-570

Dimensions

Model No.	Global Part #	H	Pipe Size
			D
BFD-574L	755.513.110	10 15/16"(277)	4"(110)
BFD-574M	755.503.110	14 7/8"(378)	4"(110)
BFD-574H	755.573.110	17 15/16"(455)	4"(110)
BFD-576L	755.513.160	7 15/16"(202)	6"(160)
BFD-576M	755.503.160	11 15/16"(303)	6"(160)
BFD-576H	755.573.160	14 15/16"(380)	6"(160)

Options (Select One Or More)		
Suffix	Description	
-316	Type 316 Stainless Steel	<input type="checkbox"/>
-B	Sediment Basket	<input type="checkbox"/>



Approvals



Compliance with NSF/ANSI/3-A 14159-1-Hygiene Requirements for the Design of Meat and Poultry Processing Equipment



* Product is certified to the uniform plumbing code ASME A112.6.3

NOTICE

The information contained herein is not intended to replace the full product installation and safety information available or the experience of a trained product installer. You are required to thoroughly read all installation instructions and product safety information before beginning the installation of this product.



A WATTS Brand

USA: T: (800) 338-2581 • F: (828) 248-3929 • BLUCHERpipe.com
 Canada: T: (888) 208-8927 • F: (888) 479-2887 • BLUCHERpipe.com
 Latin America: T: (52) 55-4122-0138 • BLUCHERpipe.com