

# Engineering Specification

Job Name \_\_\_\_\_

Contractor \_\_\_\_\_

Job Location \_\_\_\_\_

Approval \_\_\_\_\_

Engineer \_\_\_\_\_

Contractor's P.O. No. \_\_\_\_\_

Approval \_\_\_\_\_

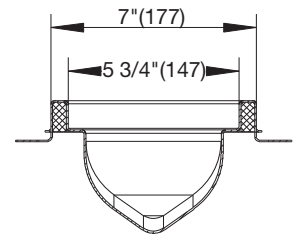
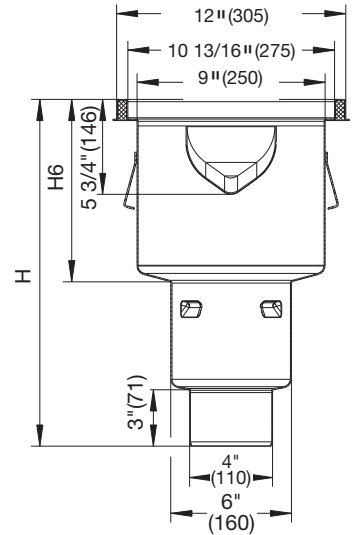
Representative \_\_\_\_\_

Tag \_\_\_\_\_

## BHG Series HygienicPro®

### Specification

BLÜCHER HygienicPro® BHG Series AISI Type 304 stainless steel pre-sloped channel (specify length) with smooth interior, 1% longitudinal slope and 160° cross fall, heavy duty frame and AISI 304 stainless steel CF-8 non-slip cast grating, and 4"(110) or 6"(160) drain outlet.

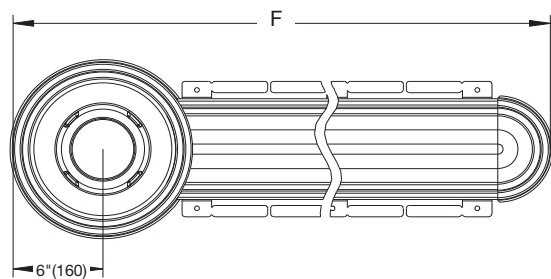


Options		
Suffix	Description	
-316	Type 316 Stainless Steel	<input type="checkbox"/>
-B	Sediment Basket	<input type="checkbox"/>

Model Number Configurator					
Series	Outlet Size	Outlet Position	Outlet Depth	X	Length (Ft)
BHG	4"	EO (End)	L (Low)	-	X
	6"	CO (Center)	M (Medium)		
		XO (Other)	H (High)		
					Length (Ft)

Model No	Style	Length F	H	H6
BHG Series	Low	Specify	15 5/8"(398)*	6 1/8"(155)*
	Medium		18 7/8"(480)*	9 3/8"(237)*
	High		22 1/4"(565)*	12 5/8"(322)*

\*If Length F is less than 98"(2482 mm) for a center outlet or 49"(1241 mm) for an end outlet, then subtract 3/4"(20 mm) from dimension shown for H and H6.



### Approvals



Compliance with NSF/ANSI/3-A 14159-1-Hygiene Requirements for the Design of Meat and Poultry Processing Equipment



Product is certified to the uniform plumbing code ASME A112.6.3

### NOTICE

The information contained herein is not intended to replace the full product installation and safety information available or the experience of a trained product installer. You are required to thoroughly read all installation instructions and product safety information before beginning the installation of this product.



**A WATTS Brand**

**USA:** T: (800) 338-2581 • F: (828) 248-3929 • BLUCHERpipe.com  
**Canada:** T: (888) 208-8927 • F: (888) 479-2887 • BLUCHERpipe.com  
**Latin America:** T: (52) 55-4122-0138 • BLUCHERpipe.com