

For Commercial Applications

Job Name _____

Contractor _____

Job Location _____

Approval _____

Engineer _____

Contractor's P.O. No. _____

Approval _____

Representative _____

Tag _____

BRD-400

6" Round Roof Drain Bottom Outlet For Single Ply Membrane Roofs



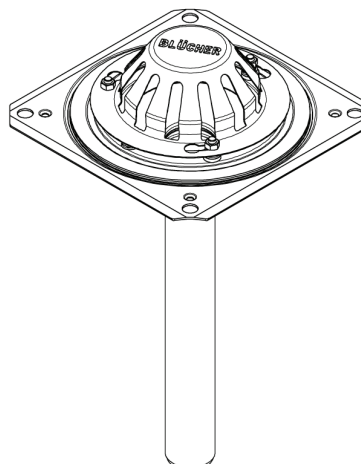
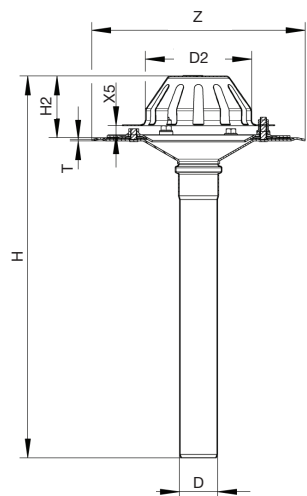
Specification

BLÜCHER BRD-400 AISI Type 304 stainless steel roof drain with 5 1/2"(140) round top opening and 11"x11"(280x280) square flange, with vertical outlet for a single ply membrane roof.

Dimensional Chart

Model No.	Global Part #	Pipe Size D	Top Size D2	Z	H	H2	X5	T
*BRD-402	402.104.050	2"(51)	5 1/2"(140)	11"x11"(280x280)	20"(501)	3"(81)	15/32"(12)	5/64"(2)
*BRD-403	402.104.075	3"(76)	5 1/2"(140)	11"x11"(280x280)	20"(501)	3"(81)	15/32"(12)	5/64"(2)
BRD-404	402.104.110	4"(102)	5 1/2"(140)	11"x11"(280x280)	20"(501)	3"(81)	15/32"(12)	5/64"(2)

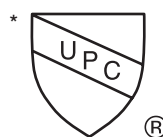
Note: BRD-404 is not IAPMO certified at this time.



NOTICE

The information contained herein is not intended to replace the full product installation and safety information available or the experience of a trained product installer. You are required to thoroughly read all installation instructions and product safety information before beginning the installation of this product.

APPROVALS



A WATTS Brand