

For Commercial Applications

Job Name _____
 Job Location _____
 Engineer _____
 Approval _____
 Tag _____

Contractor _____
 Approval _____
 Contractor's P.O. No. _____
 Representative _____

BSR-700

Shower Drain with Round Top, Surface Membrane Clamp (For Rubberized Sheet Flooring)

Specification

BLÜCHER BSR-700 AISI Type 304 stainless steel adjustable shower drain with 8 3/4"(222) round top, surface membrane clamp for rubberized sheet flooring, Vienna grating (standard), and side outlet.



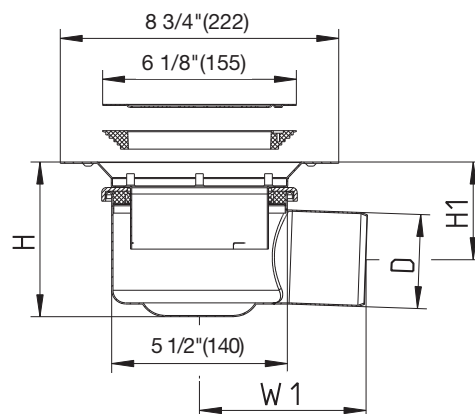
BSR-700

Dimensions

Model No.	Global Part #	Pipe Size D	Adjustable		W1
			H	H1	
*BSR-702	210.300.050	2"(50)	4 3/4"(120) 5 1/8"(130)	2 3/8"(60) 2 13/16"(70)	5"(127)
BSR-703	210.300.075	3"(76)	4 7/8"(123) 6 1/16"(153)	3 1/8"(78) 4 5/16"(108)	5 1/4"(133)

Optional Gratings

	-C	Copenhagen	<input type="checkbox"/>
---	----	------------	--------------------------



NOTICE

The information contained herein is not intended to replace the full product installation and safety information available or the experience of a trained product installer. You are required to thoroughly read all installation instructions and product safety information before beginning the installation of this product.

Approvals



Compliance with NSF/ANSI/3-A 14159-1-Hygiene Requirements for the Design of Meat and Poultry Processing Equipment



*Product is certified to the uniform plumbing code ASME A112.6.3

BLÜCHER®

A WATTS Brand