

## For Commercial Applications

Job Name \_\_\_\_\_  
 Job Location \_\_\_\_\_  
 Engineer \_\_\_\_\_  
 Approval \_\_\_\_\_  
 Tag \_\_\_\_\_

Contractor \_\_\_\_\_  
 Approval \_\_\_\_\_  
 Contractor's P.O. No. \_\_\_\_\_  
 Representative \_\_\_\_\_

# BSR-800

## Shower Drain with Round Top, Surface Membrane Clamp (For Rubberized Sheet Flooring)

### Specification

BLÜCHER BSR-800 AISI Type 304 stainless steel adjustable shower drain with 8 3/4"(222) round top, surface membrane clamp for rubberized sheet flooring, Vienna grating (standard), and bottom outlet.



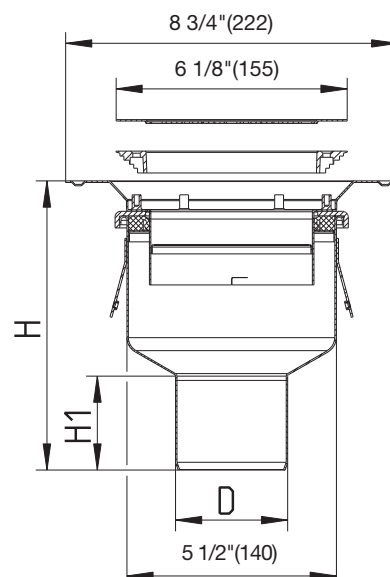
**BSR-800**

### Dimensions

Model No.	Global Part #	Pipe Size D	Adjustable H	H1
*BSR-802	250.300.050	2"(50)	7 3/4"(197) 8 15/16"(227)	2 5/16"(58)
BSR-803	250.300.075	3"(76)	7 5/8"(193) 8 3/4"(223)	2 1/2"(63)
*BSR-804	250.300.110	4"(102)	6 5/16"(161) 7 3/4"(191)	3 1/8"(79)

#### Optional Gratings

	-C	Copenhagen	<input type="checkbox"/>
--	----	------------	--------------------------



### Approvals



Compliance with NSF/ANSI/3-A 14159-1-Hygiene Requirements for the Design of Meat and Poultry Processing Equipment



\*Product is certified to the uniform plumbing code ASME A112.6.3

### NOTICE

The information contained herein is not intended to replace the full product installation and safety information available or the experience of a trained product installer. You are required to thoroughly read all installation instructions and product safety information before beginning the installation of this product.



**A WATTS Brand**