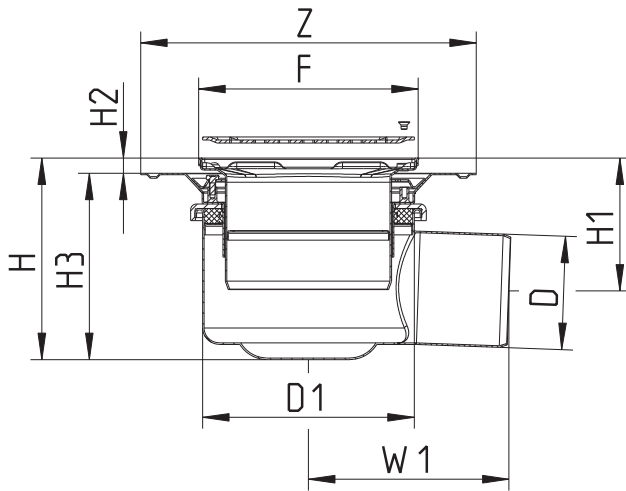


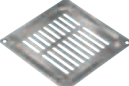

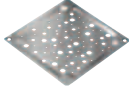


Tag: _____

SPECIFICATION: BLÜCHER BSS-100 AISI Type 304 stainless steel adjustable shower drain with 6"x6" (145x145) square top, membrane clamping flange, Vienna grating (standard), and side outlet.



Optional Gratings			
	Suffix	Description	
	-A	Athens	<input type="checkbox"/>
	-C	Copenhagen	<input type="checkbox"/>
	-D	Detroit	<input type="checkbox"/>
	-N	New York	<input type="checkbox"/>
	-O	Oslo	<input type="checkbox"/>

Dimensional Chart

Model No.	Pipe Size D	D1	Top Size F	Z	H Adjustable	H1 Adjustable	H2 Adjustable	H3 Adjustable	W1
BSS-102	2"(50)	5-1/2"(140)	6"x6"(145x145)	8-3/4"(222)	5-1/4"(133) - 7-3/8"(188)	3-9/16"(90) - 4-3/16"(105)	7/16"(10) - 2"(50)	4-7/8"(123) - 5-7/16"(138)	5-1/4"(133)
BSS-103	3"(75)	5-1/2"(140)	6"x6"(145x145)	8-3/4"(222)	5-1/4"(133) - 7-3/8"(188)	3-1/2"(88) - 5-11/16"(143)	7/16"(10) - 2"(50)	4-7/8"(123) - 5-7/16"(138)	5-1/4"(133)

Global Ref. #312.300.XXX

Job Name _____ Contractor _____

Job Location _____ Approval _____

Engineer _____ Contractor's P.O. No. _____

Approval _____ Representative _____