

**For Commercial, Industrial & Marine Applications**

Job Name \_\_\_\_\_

Contractor \_\_\_\_\_

Job Location \_\_\_\_\_

Approval \_\_\_\_\_

Engineer \_\_\_\_\_

Contractor's P.O. No. \_\_\_\_\_

Approval \_\_\_\_\_

Representative \_\_\_\_\_

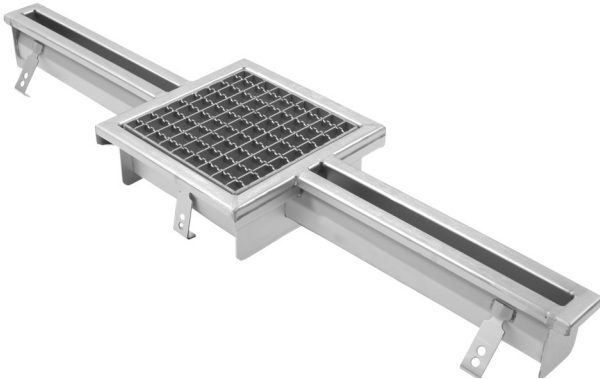
Tag \_\_\_\_\_

# BTS Series

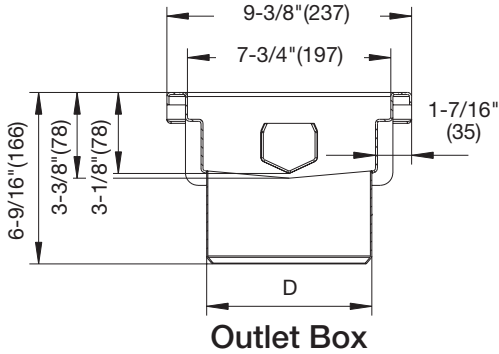
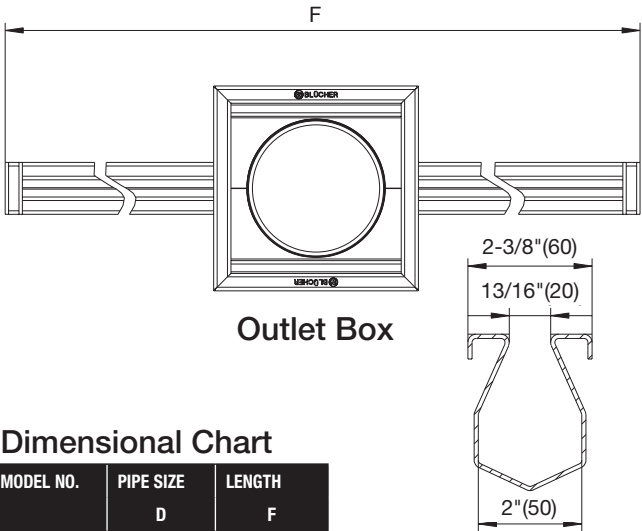
## Slot Channel with Outlet Box

**Specification:**

BLÜCHER Series BTS AISI Type 304 stainless steel slot channel, 2-3/8"(60) wide x (specify) long, with .5% longitudinal slope and 130 degree cross fall, 13/16"(20) wide drainage slot, and 8" x 8"(200x200) outlet box with spigot outlet.



Options		
Suffix	Description	
-316	Type 316 Stainless Steel	<input type="checkbox"/>
-B	Sediment Basket	<input type="checkbox"/>
-LB	Less Outlet Box	<input type="checkbox"/>
-P	Stainless Steel P-Trap	<input type="checkbox"/>



**Dimensional Chart**

MODEL NO.	PIPE SIZE	LENGTH
	D	F
Series BTS	Specify	Specify

**NOTICE**

The information contained herein is not intended to replace the full product installation and safety information available or the experience of a trained product installer. You are required to thoroughly read all installation instructions and product safety information before beginning the installation of this product.

**Approvals**



Compliance with NSF/ANSI/3-A 14159-1-Hygiene Requirements for the Design of Meat and Poultry Processing Equipment \*



Product is certified to the uniform plumbing code ASME A112.6.3



A WATTS Brand