

For Commercial And Industrial Applications

Job Name _____
 Job Location _____
 Engineer _____
 Approval _____
 Tag _____

Contractor _____
 Approval _____
 Contractor's P.O. No. _____
 Representative _____

BTV6 Series

6" Wide Pre-Sloped Trench Drain with Surface Membrane Clamp (For Rubberized Sheet Flooring)

Specification:

BLÜCHER BTV6 Series AISI Type 304 stainless steel pre-sloped trench drain with surface membrane clamp for vinyl flooring, 6"(160) wide with 1% longitudinal slope and 160 degree cross fall, 1"(25 thick mesh grating, and spigot outlet.

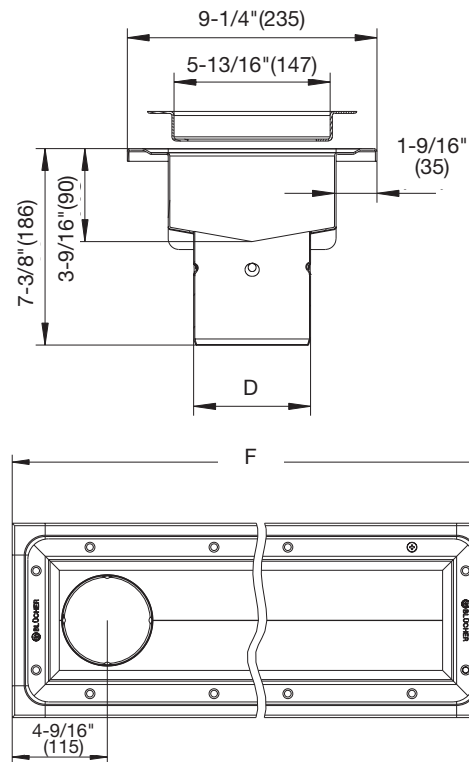


OPTIONAL GRATING:		
SUFFIX	DESCRIPTION	
-HG	Hygienic-Pro Grating	<input type="checkbox"/>
-LG	Ladder Grating	<input type="checkbox"/>
-SH	Shower Grating	<input type="checkbox"/>

OPTIONS		
SUFFIX	DESCRIPTION	
-316	Type 316 Stainless Steel	<input type="checkbox"/>
-B	Sediment Basket	<input type="checkbox"/>
-LD	Grate Locking Device	<input type="checkbox"/>
-P	Stainless Steel P-Trap	<input type="checkbox"/>

Dimensional Chart

MODEL NO.	PIPE SIZE		LENGTH
	D	F	
Series BTV6	Specify	Specify	



NOTICE

The information contained herein is not intended to replace the full product installation and safety information available or the experience of a trained product installer. You are required to thoroughly read all installation instructions and product safety information before beginning the installation of this product.

Approvals



Compliance with NSF/ANSI/3-A 14159-1-Hygiene Requirements for the Design of * Meat and Poultry Processing Equipment



Product is certified to the uniform plumbing code ASME A112.6.3



A WATTS Brand