

For Commercial And Industrial Applications

Job Name _____ Contractor _____
 Job Location _____ Approval _____
 Engineer _____ Contractor's P.O. No. _____
 Approval _____ Representative _____
 Tag _____

BWC-100 WaterLine Shower Channel with Membrane Clamp

Specification:

BLÜCHER BWC-100 AISI Type 304 stainless steel 3-1/4"(83) wide x (specify) long WaterLine Shower Channel with reversible cast stainless steel collar with dual O-ring seals, weepholes, and 2"(50) no hub epoxy coated cast iron (standard), PVC, or ABS body.

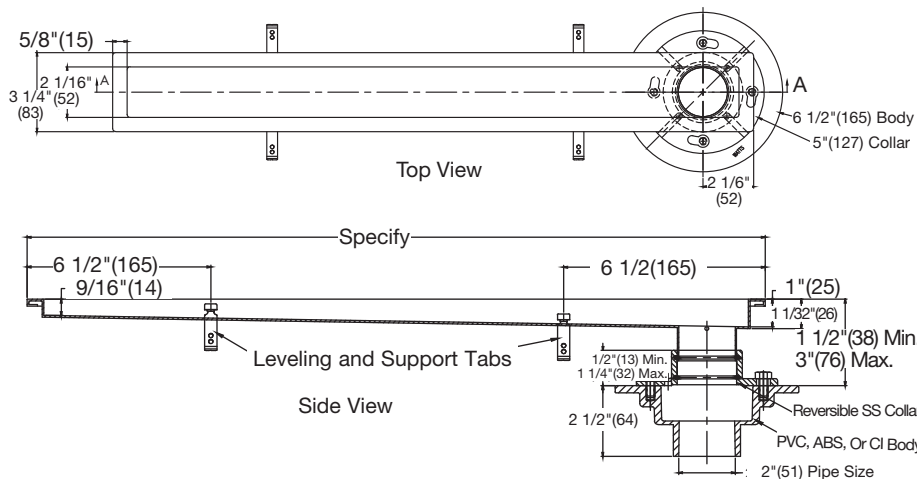


Dimensional Chart

MODEL	PIPE SIZE D	TOP SIZE W X L
BWC-126	2"(50) No Hub	3-1/4" x 26" (82x660)
BWC-130	2"(50) No Hub	3-1/4" x 30" (82x762)
BWC-136	2"(50) No Hub	3-1/4" x 36" (82x914)
BWC-142	2"(50) No Hub	3-1/4" x 42" (82x1067)
BWC-148	2"(50) No Hub	3-1/4" x 48" (82x1220)
BWC-160	2"(50) No Hub	3-1/4" x 60" (82x1524)
BWC-172	2"(50) No Hub	3-1/4" x 72" (82x1829)

Optional Gratings			
	Suffix	Description	
	-None	Vienna (Standard)	<input type="checkbox"/>
	-C	Copenhagen	<input type="checkbox"/>
	-Q	Special (Specify - 100pc Minimum)	<input type="checkbox"/>

OPTIONS			
-60	2"(50)	PVC Socket	<input type="checkbox"/>
-61	2"(50)	ABS Socket	<input type="checkbox"/>
-THD	2"(50)	Threaded	<input type="checkbox"/>
-VP		Vandal Proof Grate	<input type="checkbox"/>



NOTICE

The information contained herein is not intended to replace the full product installation and safety information available or the experience of a trained product installer. You are required to thoroughly read all installation instructions and product safety information before beginning the installation of this product.

Approvals



Compliance with NSF/ANSI/3-A 14159-1-Hygiene Requirements for the Design of Meat and Poultry Processing Equipment



Product is certified to the uniform plumbing code ASME A112.6.3



A WATTS Brand