

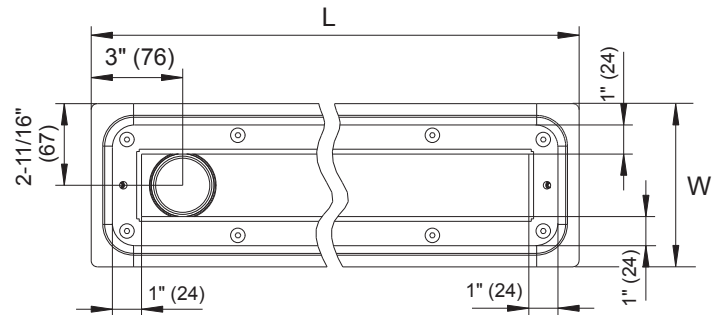
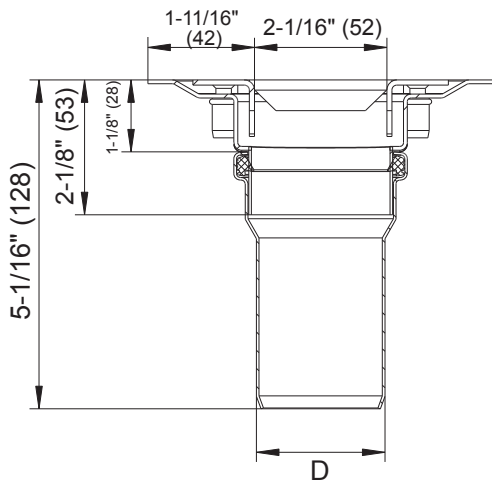


SPECIFICATION: BLÜCHER BWS-200 AISI Type 304 stainless steel 5-3/8" (135) wide x (specify) long WaterLine shower channel with surface membrane clamp for rubberized sheet flooring, Vienna grating (standard), and bottom outlet.



Optional Gratings			
	Suffix	Description	
	-None	Vienna (Standard)	<input type="checkbox"/>
	-C	Copenhagen	<input type="checkbox"/>
	-Q	Custom	<input type="checkbox"/>



Dimensional Chart

Model	Pipe Size D	Top Size W x L
BWS-228	2" (50)	5-3/8"x27-1/2" (135x700)
BWS-232	2" (50)	5-3/8"x31-1/2" (135x800)
BWS-236	2" (50)	5-3/8"x35-1/2" (135x900)
BWS-240	2" (50)	5-3/8"x39-1/2" (135x1000)

Global Ref. # 275.XXX.056.XX

Job Name _____ Contractor _____

Job Location _____ Approval _____

Engineer _____ Contractor's P.O. No. _____

Approval _____ Representative _____

