

Engineering Specification

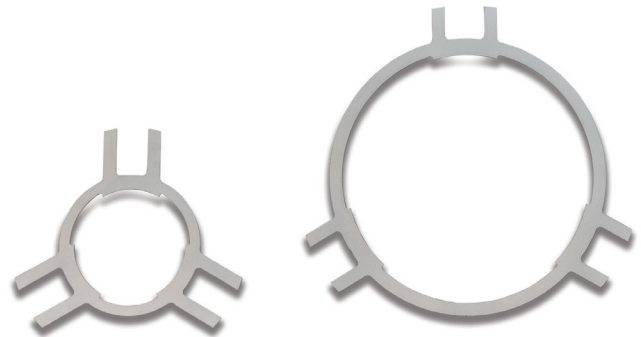
Job Name _____
 Job Location _____
 Engineer _____
 Approval _____
 Tag _____

Contractor _____
 Approval _____
 Contractor's P.O. No. _____
 Representative _____

Dual Containment Spacers

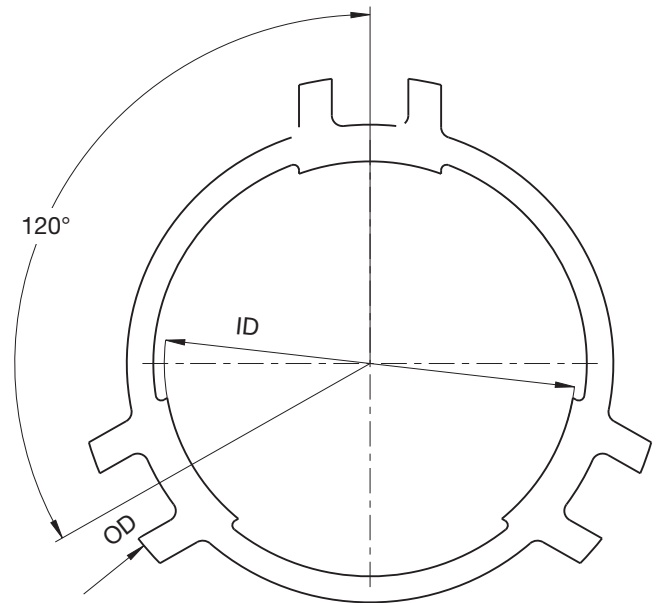
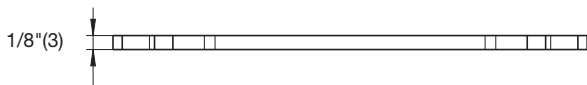
Specification

BLÜCHER PIPE AISI Type 316L (standard) dual containment stainless steel pipe system annular spacer brackets. All BLÜCHER PIPE to be treated with pickling and passivation finish process.



Spacer Dimensional Chart

Ordering Code	Model #	ID	OD	
899-10751-04 S	BDCS-2x4-316	2"(50.3)	4"(107)	<input type="checkbox"/>
899-10751-06 S	BDCS-3x4-316	3"(75.3)	4"(107)	<input type="checkbox"/>
899-10751-03 S	BDCS-4x6-316	4"(110.3)	6"(157)	<input type="checkbox"/>
899-10751-05 S	BDCS-6x8-316	6"(160.4)	8"(196.5)	<input type="checkbox"/>
899-10751-07 S	BDCS-6x12-316	6"(160.5)	12"(309.5)	<input type="checkbox"/>



For use with BLÜCHER Pipe see ES-B-SP

NOTICE

The information contained herein is not intended to replace the full product installation and safety information available or the experience of a trained product installer. You are required to thoroughly read all installation instructions and product safety information before beginning the installation of this product.



A WATTS Brand