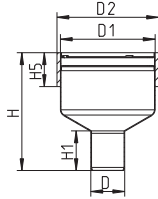
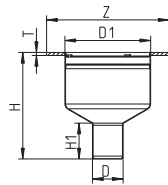


### Lower Part for Steel Deck with Welding Sleeve



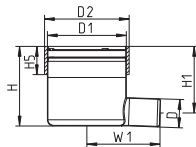
Model No. 316L / Global Part #	Pipe Size D	D1	H	H1	H5	D2
470.000.050S	2"(50)	5-1/2"(140)	6-7/8"(174)	2-1/4"(58)	2"(50)	5-7/8"(150)
470.000.075S	3"(75)	5-1/2"(140)	6-3/4"(172)	2-1/2"(63)	2"(50)	5-7/8"(150)
470.000.110S	4"(110)	5-1/2"(140)	5-3/4"(146)	2-15/16"(75)	2"(50)	5-7/8"(150)

### Lower Part for Steel Deck with Welding Flange



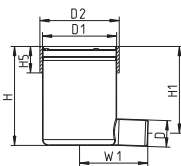
Model No. 316L / Global Part #	Pipe Size D	D1	Z	H	H1	T
470.200.050S	2"(50)	5-1/2"(140)	7-7/8"(200)	6-7/8"(174)	2-1/4"(58)	3/16"(5)
470.200.075S	3"(75)	5-1/2"(140)	7-7/8"(200)	6-3/4"(172)	2-1/2"(63)	3/16"(5)
470.200.110S	4"(110)	5-1/2"(140)	7-7/8"(200)	5-9/16"(141)	2-15/16"(75)	3/16"(5)

### Lower Part for Steel Deck with Side Outlet with Welding Sleeve



Model No. 316L / Global Part #	Pipe Size D	D1	H	H1	H5	W1	D2
475.000.050S	2"(50)	5-1/2"(140)	5-1/2"(140)	4-5/8"(117)	2"(50)	5-1/16"(129)	5-7/8"(150)
475.000.075S	3"(75)	5-1/2"(140)	5-1/2"(140)	5-1/4"(134)	2"(50)	4-1/8"(105)	5-7/8"(150)

### Lower Part for Steel Deck with Deep Side Outlet with Welding Sleeve



Model No. 316L / Global Part #	Pipe Size D	D1	H	H1	H5	W1	D2
475.100.050S	2"(50)	5-1/2"(140)	7-3/8"(187)	6-7/16"(164)	2"(50)	5-1/16"(129)	5-7/8"(150)

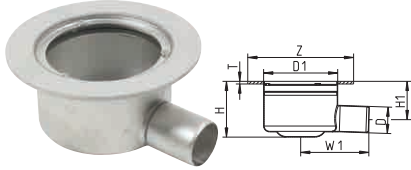
Job Name \_\_\_\_\_ Contractor \_\_\_\_\_

Job Location \_\_\_\_\_ Approval \_\_\_\_\_

Engineer \_\_\_\_\_ Contractor's P.O. No. \_\_\_\_\_

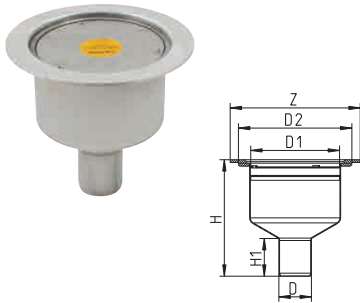
Approval \_\_\_\_\_ Representative \_\_\_\_\_

## Lower Part for Steel Deck with Side Outlet with Welding Flange



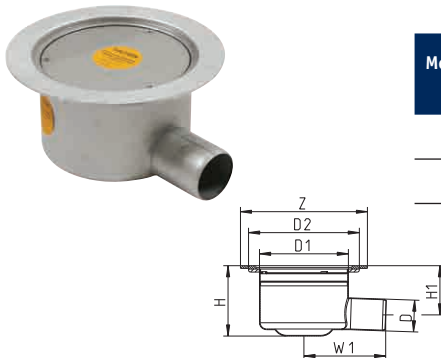
Model No. 316L / Global Part #	Pipe Size D	D1	Z	H	H1	W1	T
475.200.050S	2"(50)	5-1/2"(140)	7-7/8"(200)	4-3/16"(106)	2-13/16"(72)	5-1/16"(129)	3/16"(5)
475.200.075S	3"(75)	5-1/2"(140)	7-7/8"(200)	4-3/16"(106)	2-13/16"(71)	5-1/4"(134)	3/16"(5)

## Lower Part for Aluminum Deck with Bi-Metal Welding Flange



Model No. 316L / Global Part #	Pipe Size D	D1	Z	H	H1	D2
480.200.050S	2"(50)	5-1/2"(140)	7-7/8"(200)	7-1/16"(179)	2-1/4"(58)	6-7/8"(175)
480.200.075S	3"(75)	5-1/2"(140)	7-7/8"(200)	7"(177)	2-1/2"(63)	6-7/8"(175)
480.200.110S	4"(110)	5-1/2"(140)	7-7/8"(200)	5-15/16"(151)	2-15/16"(75)	6-7/8"(175)

## Lower Part for Aluminum Deck with Side Outlet with Bi-Metal Welding Flange



Model No. 316L / Global Part #	Pipe Size D	D1	Z	H	H1	W1	D2
485.200.050S	2"(50)	5-1/2"(140)	7-7/8"(200)	4-3/8"(111)	3-1/16"(78)	5-1/16" (128)	6-7/8" (175)
485.200.075S	3"(75)	5-1/2"(140)	7-7/8"(200)	4-3/8"(111)	3"(76)	5-1/4" (133)	6-7/8" (175)