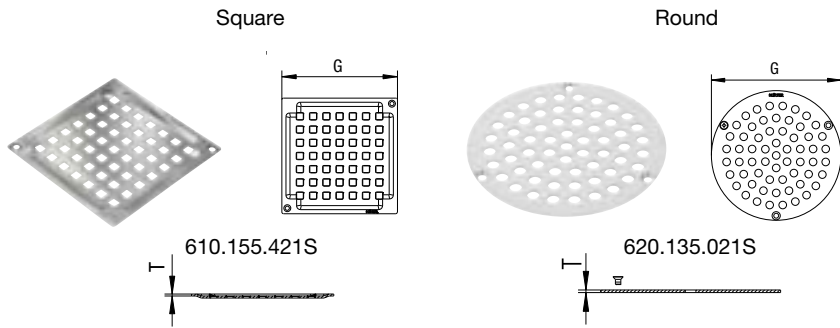


For Commercial, Industrial & Marine Applications

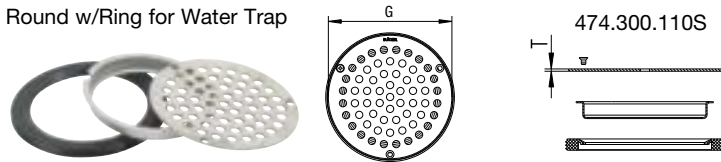
Job Name _____ Contractor _____
 Job Location _____ Approval _____
 Engineer _____ Contractor's P.O. No. _____
 Approval _____ Representative _____
 Tag _____

**Marine Drains
Gratings / Water Traps**

Replacement Gratings — Square, Round, Round w/Ring for Water Trap



Model No. 316L / Global Part #	Pipe Size G	T	Screws
610.155.421S	5-1/2" (140)	1/16" (2)	2
620.135.021S	5-5/16" (135)	1/16" (2)	3
474.300.110S	5-5/16" (135)	1/16" (2)	3



Water Traps — Two-Part Trap, Removable Multi Trap



Model No. 316L / Global Part #	Pipe Size D	H	H5	S	D2	Max Flow GPM (l/s)
502.050.110MS	4-1/4" (108)	3-1/2" (89)	2" (50)	3-3/8" (85)		27 (1.7)
503.000.110CR	4-1/4" (108)	4-7/16" (113)	5-11/16" (93)	2" (51)	2-5/16" (75)	19 (1.2)

NOTICE

The information contained herein is not intended to replace the full product installation and safety information available or the experience of a trained product installer. You are required to thoroughly read all installation instructions and product safety information before beginning the installation of this product.



A WATTS Brand