

## For Commercial Applications

Job Name \_\_\_\_\_

Contractor \_\_\_\_\_

Job Location \_\_\_\_\_

Approval \_\_\_\_\_

Engineer \_\_\_\_\_

Contractor's P.O. No. \_\_\_\_\_

Approval \_\_\_\_\_

Representative \_\_\_\_\_

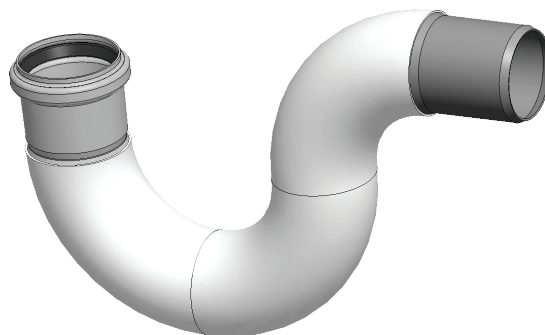
Tag \_\_\_\_\_

# PT-L

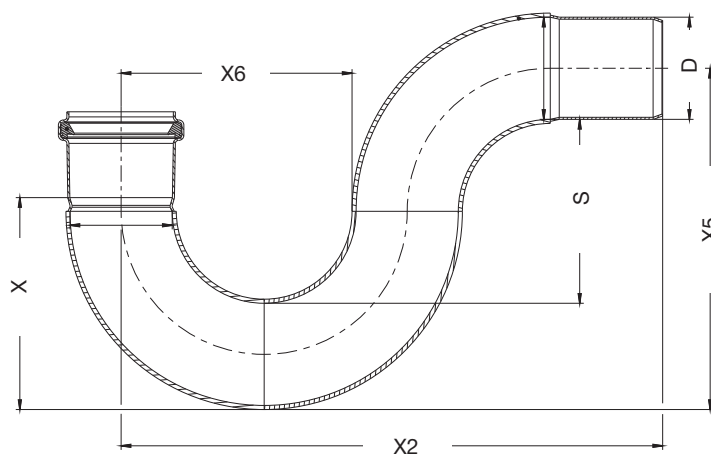
## Long Sweep P-Trap

### Specification

BLÜCHER PT-L Long Sweep P-Trap AISI Type 316L (standard) stainless steel pipe system, with Push-Fit socket connections with EPDM (standard) sealing ring. All BLÜCHER Pipe to be treated with pickling and passivation finish process.



PT-L



### NOTICE

The information contained herein is not intended to replace the full product installation and safety information available or the experience of a trained product installer. You are required to thoroughly read all installation instructions and product safety information before beginning the installation of this product.

### PT-L Dimensional Chart

Model No.	Global Part #	D	S	X	X2	X5	X6
PT-2L	599-14979-03-S	2"(51)	3 1/2"(90)	4 1/8"(104)	10 3/8"(265)	6 5/8"(167)	4 1/2"(113)
PT-3L	599-14979-04-S	3"(76)	4 1/2"(114)	5 5/8"(143)	13 5/8"(345)	9"(228)	6"(152)
PT-4L	599-14979-05-S	4"(102)	7 5/8"(195)	8 5/8"(218)	20 7/8"(529)	14 1/4"(362)	9 3/4"(248)
PT-6L	599-14979-06-S	6"(152)	11 1/2"(293)	13"(328)	30 5/8"(779)	21 1/4"(541)	14 5/8"(373)
PT-8L	599-14979-02-S	8"(203)	13 5/8"(347)	16 5/8"(422)	40 1/8"(1020)	25 3/8"(644)	19 3/8"(492)
PT-10L	599-14979-07-S	10"(254)	17 1/8"(434)	21"(534)	49 3/4"(1263)	31 3/4"(806)	24 1/2"(622)

# BLÜCHER®

A WATTS Brand

USA: T: (800) 338-2581 • F: (828) 248-3929 • BLUCHERpipe.com  
 Canada: T: (905) 332-4090 • F: (905) 332-7068 • BLUCHERpipe.com  
 Latin America: T: (52) 81-1001-8600 • BLUCHERpipe.com

ES-B-PT-L 1828

© 2018 BLÜCHER