

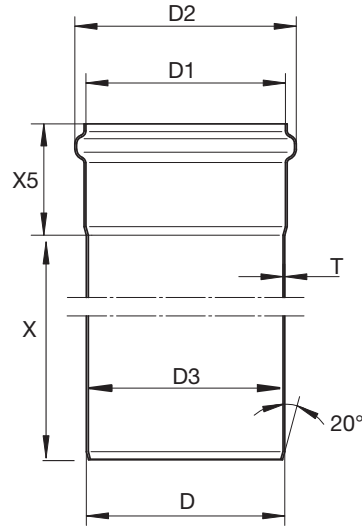
For Commercial, Industrial & Marine Applications

Job Name _____ Contractor _____
 Job Location _____ Approval _____
 Engineer _____ Contractor's P.O. No. _____
 Approval _____ Representative _____
 Tag _____

PIPE

Straight Pipe with One Socket

Specification



BLÜCHER PIPE AISI Type 316L (standard) stainless steel pipe system, with Push-Fit socket connections with EPDM (standard) sealing ring. All BLÜCHER PIPE to be treated with pickling and passivation finish process.

Notes:

- (1) NA = North America
- (2) UPC Certified to ASME A112.3.1-2007 (R2012)
- (3) Imperial dimension is nominal

Model Number Key

	Examples	Product	Diameter "D"	Length "X"	Material Type
NA ⁽¹⁾	P1.5-0.5-316	P=Pipe	1.5=1 1/2"	0.5=0'-6"	316=316L SS
Global	811.015.040 S	811=Pipe	040=40 mm	015=150 mm	S=316L SS

Pipe Diameter								
NA Series #	P1.5 ⁽²⁾	P2 ⁽²⁾	P3 ⁽²⁾	P4 ⁽²⁾	P6 ⁽²⁾	P8	P10	P12
Global Series #	811.xxx.040 S	811.xxx.050 S	811.xxx.075 S	811.xxx.110 S	811.xxx.160 S	811.xxx.200 S	811.xxx.250 S	811.xxx.315 S
D "OD" in. (mm) ⁽³⁾	1 1/2(40)	2(50)	3(75)	4(110)	6(160)	8(200)	10(250)	12(315)
D1 in. (mm)	1 5/8(41)	2 1/16(51)	3(76)	4 3/8(111)	6 5/16(161)	7 15/16(201)	9 7/8(251)	12 7/16(316)
D2 in. (mm)	2(52)	2 3/8(61)	3 7/16(87)	4 13/16(123)	7(177)	8 5/8(219)	10 15/16(277)	13 9/16(344)
D3 "ID" in. (mm)	1 1/2(38)	1 7/8(48)	2 7/8(73)	4 1/4(108)	6 3/16(157.5)	7 3/4(197)	9 3/4(247)	12 1/4(311)
T ga. (mm)	20 (1)	20(1)	20(1)	20(1)	18(1.25)	16(1.5)	16(1.5)	14(2.0)
X5 in. (mm)	1 5/8(41)	1 7/8(42)	2 3/16(50)	2 7/16(57)	3 1/16(72)	3 7/8(90)	4 5/8(108)	4 9/16(116)

NA Series #	Global Series #	X ft-in (mm)	Weight lbs (kg)							
-0.5-316	811.015.xxx S	0-5 7/8(150)	0.4(0.2)	0.7(0.3)	0.9(0.4)	1.3(0.6)	2.7(1.2)	4.4(2.0)	-	-
-0.8-316	811.025.xxx S	0-9 13/16(250)	0.7(0.3)	0.9(0.4)	1.3(0.6)	2.0(0.9)	3.8(1.7)	6.2(2.8)	-	-
-1.6-316	811.050.xxx S	1-7 11/16(500)	1.4(0.6)	1.5(0.7)	2.2(1.0)	3.3(1.5)	6.6(3.0)	10.1(4.6)	12.8(5.8)	21.9(9.9)
-2.5-316	811.075.xxx S	2-5 1/2(750)	1.8(0.8)	2.2(1.0)	3.3(1.5)	4.9(2.2)	9.3(4.2)	14.3(6.5)	-	-
-3.3-316	811.100.xxx S	3-3 3/8(1000)	2.2(1.0)	2.0(1.3)	4.4(2.0)	6.4(2.9)	12.1(5.5)	18.3(8.3)	23.2(10.5)	39.0(17.7)
-4.9-316	811.150.xxx S	4-11 1/8(1500)	3.3(1.5)	4.2(1.9)	6.2(2.8)	9.5(4.3)	17.6(8.0)	-	-	-
-6.6-316	811.200.xxx S	6-6 11/16(2000)	4.4(2.0)	5.5(2.5)	8.2(3.7)	11.9(5.4)	23.2(10.5)	34.6(15.7)	43.4(19.7)	73.3(33.2)
-9.8-316	811.300.xxx S	9-10 1/8(3000)	6.6(3.0)	8.4(3.8)	12.8(5.8)	18.3(8.3)	34.4(15.6)	50.9(23.1)	63.9(29.0)	107.5(48.8)

Non-Standard Sealing Ring Options (Select One Or More)		
-FPM	Sealing Ring Green (High Temperature Applications)	<input type="checkbox"/>
-NBR	Sealing Ring Yellow (Petroleum Applications)	<input type="checkbox"/>

Approvals



NOTICE

The information contained herein is not intended to replace the full product installation and safety information available or the experience of a trained product installer. You are required to thoroughly read all installation instructions and product safety information before beginning the installation of this product.

USA: T: (800) 338-2581 • F: (828) 248-3929 • BLUCHERpipe.com
Canada: T: (905) 332-4090 • F: (905) 332-7068 • BLUCHERpipe.com
Latin America: T: (52) 81-1001-8600 • BLUCHERpipe.com



A WATTS Brand