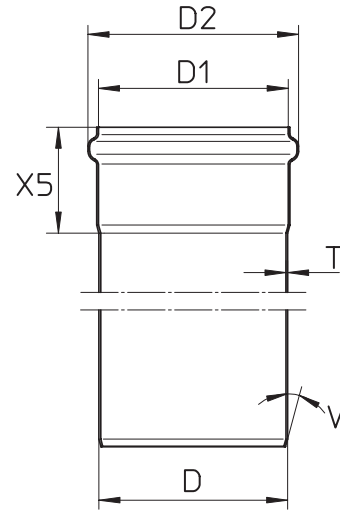


Tag: \_\_\_\_\_



**Dimensional Chart Pipe Size**

Pipe Size <i>D</i>	<i>D1</i>	<i>D2</i>	<i>X5</i>	<i>T</i>	<i>V</i>
1.5"(40)	5/8"(41)	2"(52)	5/8"(41)	18 ga.(1.25)	20 deg.
2"(50)	2-1/16"(51)	2-3/8"(61)	1-7/8"(47)	20 ga.(1)	20 deg.
3"(75)	3"(76)	3-7/16"(87)	2-3/16"(55)	20 ga.(1)	20 deg.
4"(110)	4-3/8"(111)	4-13/16"(123)	2-7/16"(62)	20 ga.(1)	20 deg.
6"(160)	6-5/16"(161)	7"(177)	3-1/16"(78)	18 ga.(1.25)	20 deg.
8"(200)	7-15/16"(201)	8-5/8"(219)	3-7/8"(98)	16 ga.(1.5)	20 deg.
10"(250)	9-7/8"(251)	10-15/16"(277)	4-5/8"(116)	16 ga.(1.5)	20 deg.

Job Name \_\_\_\_\_ Contractor \_\_\_\_\_

Job Location \_\_\_\_\_ Approval \_\_\_\_\_

Engineer \_\_\_\_\_ Contractor's P.O. No. \_\_\_\_\_

Approval \_\_\_\_\_ Representative \_\_\_\_\_



A Watts Water Technologies Company



USA: 100 Watts Road, Spindale, NC, 28160-2298; www.blucherdrains.com  
 Canada: 5435 North Service Rd., Burlington, ONT. L7L 5H7; www.blucherdrains.ca