

For Commercial And Industrial Applications

Job Name _____ Contractor _____
 Job Location _____ Approval _____
 Engineer _____ Contractor's P.O. No. _____
 Approval _____ Representative _____
 Tag _____

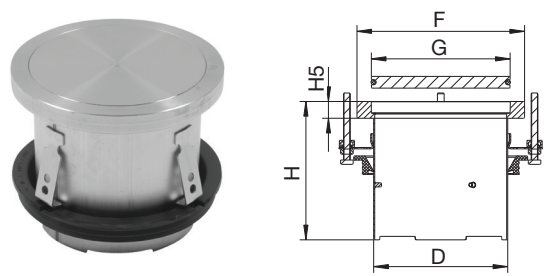
Gastight Drains

Two-Piece Gastight Industrial Drains

Specification:

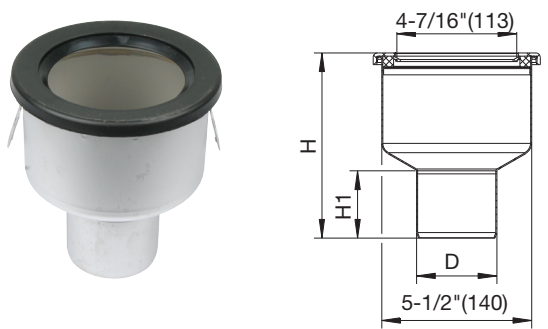
BLÜCHER AISI Type 316L stainless steel Two-Piece Gastight Industrial Drains with (specify) round upper part with solid gastight cover for vacuum handle removal, and (specify) lower part with bottom outlet.

Upper Parts



Model No. / Global Part #	Pipe Size <i>D</i>	Top Size <i>F</i>	<i>G</i>	<i>H</i>
774.551.000S	4-5/16"(110)	6"(150)	4-1/2"(115)	2-1/2"(64)
774.552.000S	6-5/16"(160)	8"(200)	6-1/2"(166)	6-1/2"(166)

Lower Parts for 774.551.000S



Model No. / Global Part #	Pipe Size <i>D</i>	<i>H</i>	<i>H1</i>
150.000.075S	3"(75)	6-13/16"(173)	2-1/2"(63)
150.000.110S	4"(110)	5-9/16"(141)	3-1/8"(79)

NOTICE

The information contained herein is not intended to replace the full product installation and safety information available or the experience of a trained product installer. You are required to thoroughly read all installation instructions and product safety information before beginning the installation of this product.



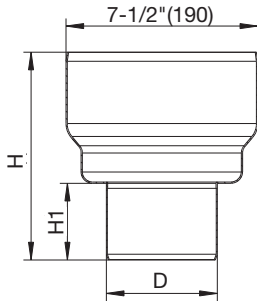
Watts product specifications in U.S. customary units and metric are approximate and are provided for reference only. For precise measurements, please contact Watts Technical Service. Watts reserves the right to change or modify product design, construction, specifications, or materials without prior notice and without incurring any obligation to make such changes and modifications on Watts products previously or subsequently sold.

For Commercial And Industrial Applications

Lower Parts for 774.552.000S



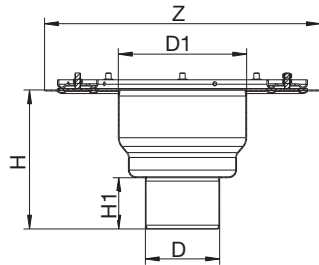
760.002/072



Model No. / Global Part #	Pipe Size <i>D</i>	<i>H</i>	<i>H1</i>	<i>Z</i>
760.002.075S	3"(75)	7-11/16"(195)	2-9/16"(65)	N/A
760.002.110S	4"(110)	8-1/8"(206)	3"(76)	N/A
760.072.110S	4"(110)	10-7/8"(277)	3"(76)	N/A
775.002.075S	3"(75)	7-11/16"(195)	2-9/16"(65)	16-1/8"(409)
775.002.110S	4"(110)	10-7/8"(277)	3"(76)	16-1/8"(409)
775.072.110S	4"(110)	8-1/8"(206)	3"(76)	16-1/8"(409)



775.002/072



OPTIONS		
SUFFIX	DESCRIPTION	
-VH4	Small Vacuum Handle	<input type="checkbox"/>
-VH6	Large Vacuum Handle	<input type="checkbox"/>



A WATTS Brand

USA: Tel: (828) 248-3995 • Fax: (828) 248-3929 • BLUCHERpipe.com
 Canada: Tel: (905) 332-4090 • Fax: (905) 332-7068 • BLUCHERpipe.ca
 Latin America: Tel: (52) 55-4122-0138 • BLUCHERpipe.com