

For Residential and Commercial Applications

Job Name _____
 Job Location _____
 Engineer _____
 Approval _____

Contractor _____
 Approval _____
 Contractor's P.O. No. _____
 Representative _____
 SKU _____

FloPro™*MD*

Gas Flow & Pressure Measurement System

The Dormont FloPro™-*MD* allows installers and service technicians to perform equipment start-ups and commissioning or to quickly diagnose gas flow or gas pressure issues to your gas burning equipment.

With its innovative gas measurement capabilities, FloPro-*MD* speeds the start-up and commissioning process of gas burning appliances, while logging data via Bluetooth (BTLE) connectivity that can later be downloaded to any smart device. A free app can be downloaded from the Google Play or Apple App Store.

Features

- Gas Flow Rate in Cubic Feet/Hour (CFH)
- Gas Flow Capacity in BTU/Hour
- Gas pressure measurement in inches water column (" w.c.)
- Corrosion-resistant aluminum construction with black finish
- Annunciator LEDs communicate device status
- Standard 3/4" Female NPT connections

Approvals

- CSA Certified: Standard CAN/CSA-C22.2 NO. 61010-1-12 UL 61010-1 (Class C872106)
- EMI Verification of Compliance: Standard FCC PART 15, SUBPART B / EN 55024:2010 / EN 55032:2015



Benefits

- Free app available from the Google Play or Apple App Store
- Compatible with Natural Gas (NG) and Propane (LPG) appliances and equipment at specified flow rates
- Compact, palm size device that is light weight and easy to install
- Easily view real time and recorded data
- Automatically converts gas flow rate (CFH) to capacity (BTU/hr)

WARNING

Installation and service MUST be performed by qualified installer. Read and follow all Dormont safety, use, sizing, installation and care instructions and follow all building codes, construction standards, appliance manufacturer recommendations and instructions, and applicable ANSI standards.



FloPro-*MD*
Patent Pending



The AC-DC power supply can be used if a 120VAC outlet is nearby or if the device is going to be installed for an extended period of time.



The battery pack power supply can be clipped to the FloPro-*MD* housing and used when a power outlet is not available. Convenient for quick start-ups in the field. 4-AA batteries included.

GENERAC®



NOTICE

The information contained herein is not intended to replace the full product installation and safety information available or the experience of a trained product installer. You are required to thoroughly read all installation instructions and product safety information before beginning the installation of this product.

Dormont product specifications in U.S. customary units and metric are approximate and are provided for reference only. For precise measurements, please contact Dormont Technical Service. Dormont reserves the right to change or modify product design, construction, specifications, or materials without prior notice and without incurring any obligation to make such changes and modifications on Dormont products previously or subsequently sold. Refer to the owner's manual for warranty information.

Dormont
A WATTS Brand

Technical Specifications

FloPro-MD measures, monitors and displays the following:

Gas Calibration: Natural Gas (NG)
Gas Flow Rate NG: 10 to 375 CFH
Gas Flow Capacity NG: 10,000 to 375,000 BTU/hr
Gas Pressure Drop NG: 0.60" w.c. @ 375,000 BTU/hr

Gas Calibration: Propane (LPG)
Gas Flow Rate Propane: 6 to 200 CFH
Gas Flow Capacity Propane: 15,000 to 500,000 BTU/hr
Gas Pressure Drop Propane: 0.45" w.c. @ 500,000 BTU/hr

Operating Temperature FloPro-MD with AC-DC Power Supply: 32°F to 104° F (0°C to 40°C)
Operating Temperature FloPro-MD with Battery Pack Power Supply: 0°F to 130°F (-17.8°C to 54°C)
Operating Gas Pressure: 0 to 5 psi (0 to 344 mbar)
Operating Atmospheric Pressure: 7.25 to 17.4psi (0.5 to 1.2 bar)

Operating Humidity Range: 20% to 80% non-condensing
Operating Altitude:

-1,640 to 6,561 feet (-500 to 2,000 meters)

Standard End Connections: 3/4" Female NPT

Supply Rating: 6VDC-12VDC, 2W

AC-DC Power Supply:

Input 100-240VAC, 50-60Hz, 0.3A

Output 12VDC, 1A, 12W

DC Plug Dims 5.5mm OD x 2.5mm ID x 9.5mm L

DC Plug Polarity Center Positive

Cord Length 1500mm

Battery Pack Power Supply:

Qty. 4 - Size AA Alkaline-Zinc/Manganese Dioxide (1.5V each)

Life is approx. 230 hours of continuous operation

Industry Standard Dimensions comply with ANSI and IEC Standards

DC Plug Dims 5.5mm OD x 2.5mm ID x 9.5mm L

DC Plug Polarity Center Positive

Cord Length 170mm

Interface & Communications:

Android and iOS Application via Bluetooth Low Energy

NOTICE

1 CFH = 1000 BTU/hr of Natural Gas (NG)

1 CFH = 2500 BTU/hr of Propane (LPG)

Materials

Housing Material: Cast Aluminum - Black Powder Coat

End Connection Material: Extruded Aluminum - Black Anodized

Housing Lid Material: PC+ABS Blend – Natural

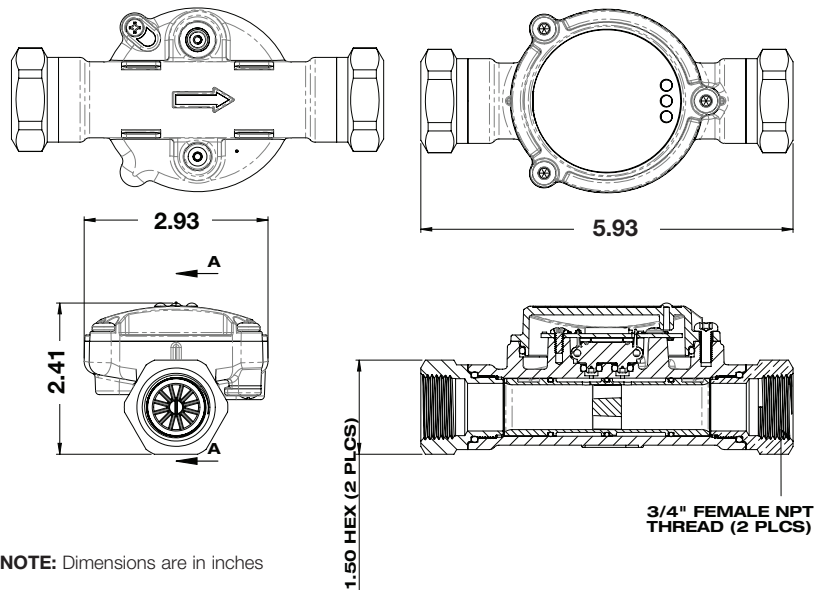
Reset Button and Power Seal Material: TPE or TPV - Black

O-Ring Seal Material: Fluorocarbon (FKM)

Battery Clip and Cable Retainer Material: PC+ABS Blend – Black

Screw Material: Stainless Steel

Vent Material: PTFE Membrane



GENERAC PART NUMBER	DORMONT ORDERING CODE	DESCRIPTION	FLOPRO-MD WITH POWER SUPPLIES	PACKAGING AND ACCESSORIES
A0000032418	68004851	Dormont FloPro-MD 3/4" FNPT Generac Hard Case KIT	MODEL FPMD75FF 3/4" FNPT (IN) x 3/4" FNPT (OUT) AC-DC Power Supply Battery Pack Power Supply w/Clip 4-AA Batteries	Hard Case 3/4" x 12" Nut x Nut Flexline (2) 3/4" x 3/4" Male NPT Flare Adapter (2) 1/2" x 12" Nut x Nut Flexline (2) 1/2" x 3/4" Male NPT Flare Adapter (2)



Dormont
A WATTS Brand

USA: T: (800) 367-6668 • F: (724) 733-4808 • Dormont.com
Canada: T: (905) 332-4090 • F: (905) 332-7068 • Dormont.ca
Latin America: T: (52) 81-1001-8600 • Dormont.com