

## For Non-Health Hazard Applications

Job Name \_\_\_\_\_

Contractor \_\_\_\_\_

Job Location \_\_\_\_\_

Approval \_\_\_\_\_

Engineer \_\_\_\_\_

Contractor's P.O. No. \_\_\_\_\_

Approval \_\_\_\_\_

Representative \_\_\_\_\_

# LEAD FREE\*

## Series 611

### Valve Setter - Mechanical Joint by Flange Used with MasterSeries® N-Shape Assemblies

Sizes: 3" - 10" (80 - 250mm)

The FEBCO Series 611 mechanical joint by flange valve setter is constructed of fusion epoxy coated ductile iron. Valve setters are designed to augment the installation of the "N" series backflow prevention valves. Integral ductile iron support between elbows transfers thrust downstream, thus eliminating thrust block requirements between elbows. Mechanical joint restraint devices may be used at pipe connections, depending on local conditions. The 611 features Lead Free\* construction to comply with Lead Free\* installation requirements.

#### Features

- Corrosion resistant fusion epoxy coated.
- Eliminates the need for thrust blocks or other restraints at the point of installation.
- Flanges: ANSI B16.1 Class 125 (Standard)  
ANSI AWWA C153 A21.53-88

#### Pressure – Temperature

Maximum Working Pressure: 175psi (12.1 bar)

Temperature Range: 32° to 140° (0°C to 60°)

#### Materials

Body: Ductile iron A536 GR 65-45-12

Coating: Fusion epoxy coated internal and external  
AWWA C550

Bolts & Nuts: Stainless steel

#### NOTICE

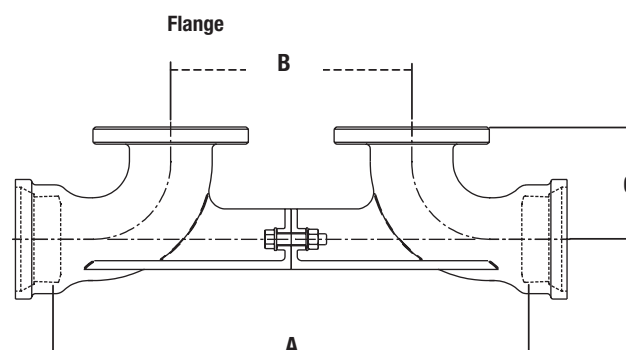
Mechanical joint accessories, flange bolts and gaskets are not included (except for center joint).

#### NOTICE

Inquire with governing authorities for local installation requirements



Series 611



#### Dimensions – Weights

Size: 3" - 10" (80 - 250mm)

SIZE (DN)		DIMENSIONS						WEIGHTS	
in.	mm	A		B		C		lbs.	kgs.
		in.	mm	in.	mm	in.	mm		
3	80	21½	546	12½	318	5½	140	69	31.3
4	100	24	610	14	356	6½	165	96	43.5
6	150	29	737	16	406	8	203	152	68.9
8	200	33½	851	18½	470	9	229	216	98.0
10	250	40	1016	21	533	11	279	288	130.6

#### NOTICE

Dimensions shown are nominal. Allowances must be made for normal manufacturing tolerances.

\*The wetted surface of this product contacted by consumable water contains less than 0.25% of lead by weight.

FEBCO product specifications in U.S. customary units and metric are approximate and are provided for reference only. For precise measurements, please contact FEBCO Technical Service. FEBCO reserves the right to change or modify product design, construction, specifications, or materials without prior notice and without incurring any obligation to make such changes and modifications on FEBCO products previously or subsequently sold.

USA: Tel: (800) 767-1234 • Fax: (800) 788-4491 • FEBCOonline.com

Canada: Tel: (905) 332-4090 • Fax: (905) 332-7068 • FEBCOonline.ca

Latin America: (52) 81-1001-8600 • Fax: (52) 81-8000-7091 • FEBCOonline.com

ES-F-611 1330



A WATTS Brand