

SPECIFICATION SHEET



Series 622F/FT/UF/UFT

Bronze, Full Port Ball Valves

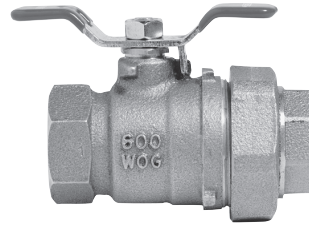
Size: 1/2" - 2" (15mm - 50mm)

Features

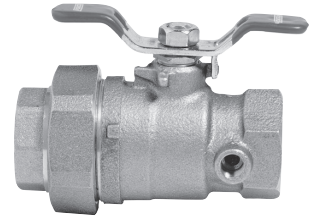
- The FEBCO Series 622F/FT/UF/UFT available with tapped outlet suitable for the installation of a pressure gauge or test cock. 622UF/UFT with Union Ends.
- Tee handle standard on 1/2" through 1 1/4" sizes (15mm – 32mm).
- Lever handle standard on 1 1/2" through 2" sizes (40mm – 50mm).
- Full port design for low pressure drop.
- Pressure rated at 600psi (41.4 bar) WOG, (non-shock) 1/2"-2" (15mm – 50mm) (DN15-DN50) and 125psi (8.6 bar) saturated steam.
- Suitable for temperature from 0°F to +350°F (-18°C to 177°C) at 50psi (345 kPa).
- PTFE stem packing seal, thrust washer and seat.
- Plated carbon steel handle with vinyl insulator.
- Quarter-turn open or close operation.
- Ideal for throttling and balancing applications of non-abrasive fluids where minimum flow is 20% to 100% of valve capacity.
- Low operating torque.
- Adjustable stem packing gland.
- Bottom loaded, pressure retaining stem.

Options

- 622F: Full Port Thread x Thread Ball Valve
- 622FT: Full Port Thread x Thread Ball Valve with Tapped Side Outlet
- 622 UF: Full Port Thread x Thread Ball Valve with (1) Union End
- 622 UFT: Full port Thread x Thread Ball Valve with (1) Union End with Tapped Side Outlet

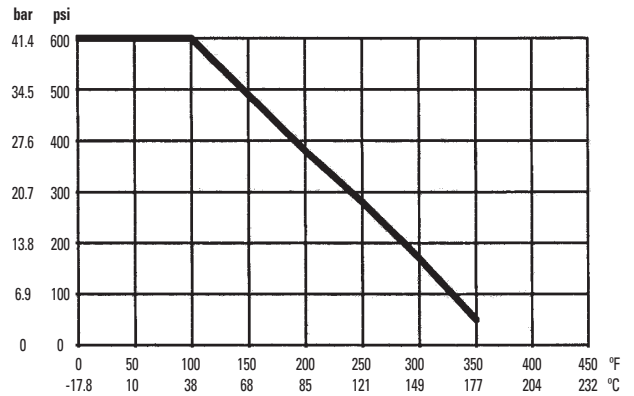


Series 622UF



Series 622UFT

Seat Rating



Specification

Approved valves shall have bottom loaded pressure retaining stems, PTFE seats and full port. Valve shall be pressure rated at 600psi (41.4 bar) WOG (non-shock), 125psi (8.6 bar) saturated steam. Valve must conform to Federal Specification WW-V-35C, Type II, Composition, BZ, Style 3, End Connection A. FEBCO Series 622F.

CV Factor

| SIZE | | GPM | LITERS |
|-------|-----|-----------------------------|---------------------------|
| in. | mm. | C _v (gpm / √psi) | C _v (L / √psi) |
| 1/2 | 15 | 15 | 56.8 |
| 3/4 | 20 | 30 | 113.6 |
| 1 | 25 | 60 | 227.1 |
| 1 1/4 | 32 | 110 | 416.4 |
| 1 1/2 | 40 | 130 | 492.1 |
| 2 | 50 | 360 | 1362.7 |

Job Name _____

Job Location _____

Engineer _____

Approval _____

Contractor _____

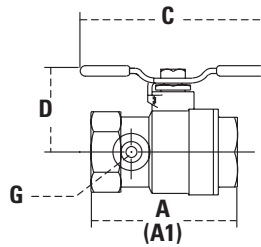
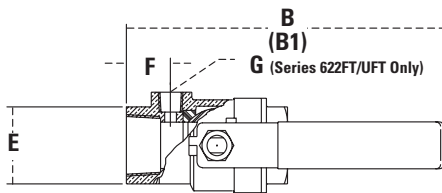
Approval _____

Contractor's P.O. No. _____

Representative _____

FEBCO product specifications in U.S. customary units and metric are approximate and are provided for reference only. For precise measurements, please contact FEBCO. FEBCO reserves the right to change or modify product design, construction, specifications, or materials without prior notice and without incurring any obligation to make such changes and modifications on FEBCO products previously or subsequently sold.

Dimensions – Weights



Size: 1/2" - 2" (15 - 50mm)

| SIZE (DN) | | SERIES 622UF / UFT DIMENSIONS | | | | | | | | | | WEIGHT | | | | | | | | | | | |
|-----------|----|-------------------------------|-----|------------|-----|-------|-----|------------|-----|--------|----|--------|----|---------|----|--------|----|----------|-----|-------|------|--------|------|
| | | A | | A1 (union) | | B | | B1 (union) | | C | | D | | E | | F | | G | | 622FT | | 622UFT | |
| in. | mm | in. | mm | in. | mm | in. | mm | in. | mm | in. | mm | in. | mm | in. | mm | in. | mm | in. | mm | lbs. | kgs. | lbs. | kgs. |
| 1/2 | 15 | 2 3/8 | 61 | 3 1/2 | 79 | | | | | 3 1/8 | 79 | 1 7/16 | 36 | 1 | 25 | 5/8 | 16 | 1/8 - 27 | n/a | .6 | .3 | .7 | .3 |
| 3/4 | 20 | 2 3/8 | 67 | 3 1/2 | 89 | | | | | 3 3/8 | 79 | 1 5/8 | 41 | 1 1/4 | 32 | 3/4 | 19 | 1/8 - 27 | n/a | .8 | .4 | 1.1 | .5 |
| 1 | 25 | 3 1/8 | 79 | 4 | 102 | | | | | 3 9/16 | 91 | 2 | 51 | 1 1/2 | 38 | 1 3/16 | 20 | 1/8 - 27 | n/a | 1.3 | .6 | 1.6 | .7 |
| 1 1/4 | 32 | 3 5/8 | 92 | 4 9/16 | 116 | | | | | 3 9/16 | 91 | 2 1/16 | 53 | 1 13/16 | 46 | 1 3/16 | 21 | 1/4 - 18 | n/a | 2.3 | 1.0 | 2.4 | 1.1 |
| 1 1/2 | 40 | 3 7/8 | 99 | 5 | 129 | 8 1/2 | 216 | 9 1/2 | 241 | | | 3 | 76 | 2 3/16 | 55 | 1 3/16 | 21 | 1/4 - 18 | n/a | 3.2 | 1.4 | 3.7 | 1.7 |
| 2 | 50 | 4 7/16 | 113 | 5 11/16 | 144 | 8 1/2 | 216 | 9 5/8 | 244 | | | 3 1/2 | 89 | 2 3/4 | 70 | 1 3/16 | 21 | 1/4 - 18 | n/a | 5.6 | 2.5 | 6.4 | 2.9 |

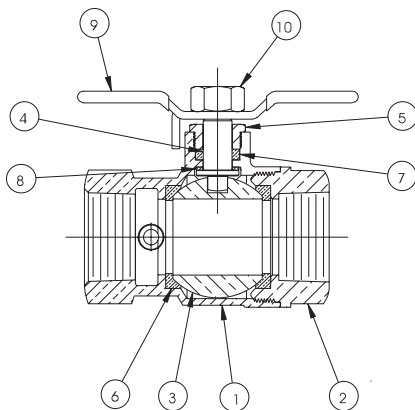
Note: Dimensions are nominal. Allowances must be made for normal manufacturing tolerances.

Size: 1/2" - 2" (15 - 50mm)

| SIZE (DN) | | SERIES 622F / 622UF DIMENSIONS | | | | | | | | | | WEIGHT | | | | | | | |
|-----------|----|--------------------------------|-----|--------|-----|-------|-----|---------|-----|--------|----|--------|----|---------|----|-------|------|--------|------|
| | | A | | A1 | | B | | B1 | | C | | D | | E | | 622FT | | 622UFT | |
| in. | mm | in. | mm | in. | mm | in. | mm | in. | mm | in. | mm | in. | mm | in. | mm | lbs. | kgs. | lbs. | kgs. |
| 1/2 | 15 | 2 3/16 | 55 | 3 | 74 | | | | | 3 3/8 | 79 | 1 7/16 | 36 | 1 | 25 | .6 | .3 | .7 | .3 |
| 3/4 | 20 | 2 3/8 | 61 | 3 1/4 | 82 | | | | | 3 3/8 | 79 | 1 5/8 | 41 | 1 1/4 | 32 | .7 | .3 | 1.0 | .5 |
| 1 | 25 | 2 7/8 | 73 | 3 3/4 | 96 | | | | | 3 9/16 | 91 | 2 | 51 | 1 1/2 | 38 | 1.3 | .6 | 1.6 | .7 |
| 1 1/4 | 32 | 3 1/4 | 83 | 4 3/16 | 107 | | | | | 3 9/16 | 91 | 2 1/16 | 53 | 1 13/16 | 46 | 2.0 | .9 | 2.4 | 1.1 |
| 1 1/2 | 40 | 3 5/8 | 92 | 4 3/4 | 120 | 8 | 206 | 9 | 231 | | | 3 | 76 | 2 3/16 | 55 | 3.1 | 1.4 | 3.6 | 1.7 |
| 2 | 50 | 4 3/16 | 106 | 5 3/8 | 137 | 8 3/8 | 213 | 9 11/16 | 246 | | | 3 1/2 | 89 | 2 3/4 | 70 | 5.3 | 2.4 | 6.3 | 2.9 |

Note: Dimensions are nominal. Allowances must be made for normal manufacturing tolerances.

Materials of Construction



1. Body - Bronze
2. End Cap - Bronze
3. Ball - Chrome Plated Brass
4. Stem - Brass
5. Packing Nut - Brass
6. Ball Seal - PTFE
7. Packing - PTFE
8. Stem Washer - PTFE
9. Handle - Plated Steel w/Vinyl Insulator
10. Nut - Plated Steel



A Watts Water Technologies Company



ISO 9001-2000
CERTIFIED

USA: 4381 N. Brawley • Ste. 102 • Fresno, CA • 93722 • Tel. (559) 441-5300 • Fax: (559) 441-5301 • www.FEBCOonline.com
Canada: 5435 North Service Rd. • Burlington, ONT. • L7L 5H7 • Tel. (905) 332-4090 • Fax: (905) 332-7068 • www.FEBCOonline.ca