

**SPECIFICATION SHEET** 

# Series 805YD

## Double Check Valve Assemblies

**Size: 2½" - 10" (65mm - 250mm)**

The FEBCO Series 805YD Double Check Valve Assemblies are used to prevent backflow of pollutants that are objectionable but not toxic. Double Checks may be installed under continuous pressure service and may be subjected to backpressure. Double checks can be used in sprinkler irrigation systems, fire protection without chemical additives, protection of industrial plants, industrial in-plant plumbing systems and other systems requiring protection. Local codes may vary; consult authorities for specific approved applications.

### Features

- The DuraCheck features all stainless steel check assemblies for corrosion resistance, reduced fouling and longer valve life.
- DuraCast ductile iron body for superior strength, corrosion resistance and lighter weight.
- Low head loss
- Documented flow curves established by University of Southern California Foundation for Cross-Connection Control and Hydraulic Research.
- End Connection – Flanged ANSI B16.1

### Operation

In a nonflow condition the check valves hold 1psi (7kPa) minimum in the direction of flow. In a flow condition the check valves are open, proportional to the flow demand. In a backflow condition both checks will close until the resumption of normal flow.

### Options

- Silicon Seat Discs
- OS&Y Gate Valves
- NRS Gate Valves

### Specifications

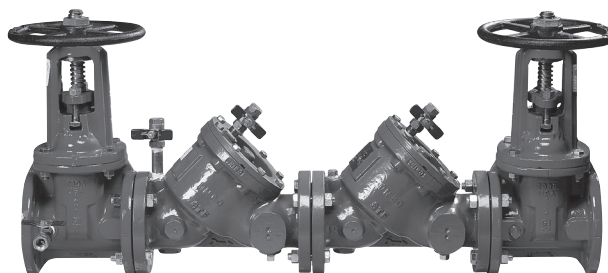
Double check assemblies shall consist of two independent "Y" configured check valves. Checks shall be of the spring loaded, center stem guided type.

Ductile iron bodies shall be flanged ANSI B16.1, Class 125 and epoxy coated internally 10-20 mils and epoxy coated externally.

The assembly shall include flanged, full port resilient wedge shutoff valves and four full port ball valve testcocks, considered integral to the assembly.

All double check valve assemblies shall be constructed all internal parts, including seat rings, can be serviced without removing the device from the line. The assembly shall meet or exceed requirements of ASSE standard 1015, AWWA standard C506-78, and the USC Foundation for Cross-connection Control and Hydraulic Research, seventh edition.

Double check valve assemblies shall be FEBCO, 805YD prior approved equal.



805YD

### Approvals – Standards

- Approved by the Foundation for Cross-Connection Control and Hydraulic Research at the University of Southern California.\*
- ANSI/AWWA Conformance (C510-89)



\* Valves must be supplied with resilient seated shutoff valves for USC and FM approvals to be in effect. UL and FM Listings only applicable with approved OS&Y gates.

### Pressure – Temperature

Max. Working Pressure:	175psi (12.1 bar)
Hydrostatic Test Press:	350psi (24.1 bar)
Temperature Range:	32°F to 140°F (0°C to 60°C)

### Materials

Main Valve Body/Cover:	Ductile iron ASTM A-536 grade 65-45-12 epoxy coated internal 10-20 mils
Main Valve Trim	Bronze
Internal Check Assembly:	Stainless Steel
Elastomers:	Nitrile
Springs:	Stainless Steel
Internal Check Assembly:	Stainless Steel
Shutoffs:	Non-rising stem, RW gates, standard. Others available.
Coating:	Fusion bonded epoxy AWWA C550-90, USC FCCC & HR approved.

Job Name \_\_\_\_\_

Job Location \_\_\_\_\_

Engineer \_\_\_\_\_

Approval \_\_\_\_\_

Contractor \_\_\_\_\_

Approval \_\_\_\_\_

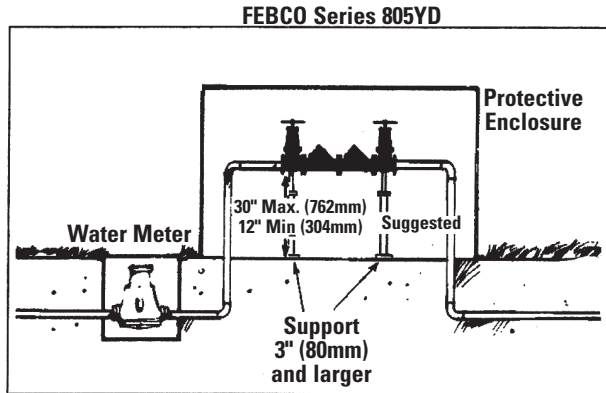
Contractor's P.O. No. \_\_\_\_\_

Representative \_\_\_\_\_

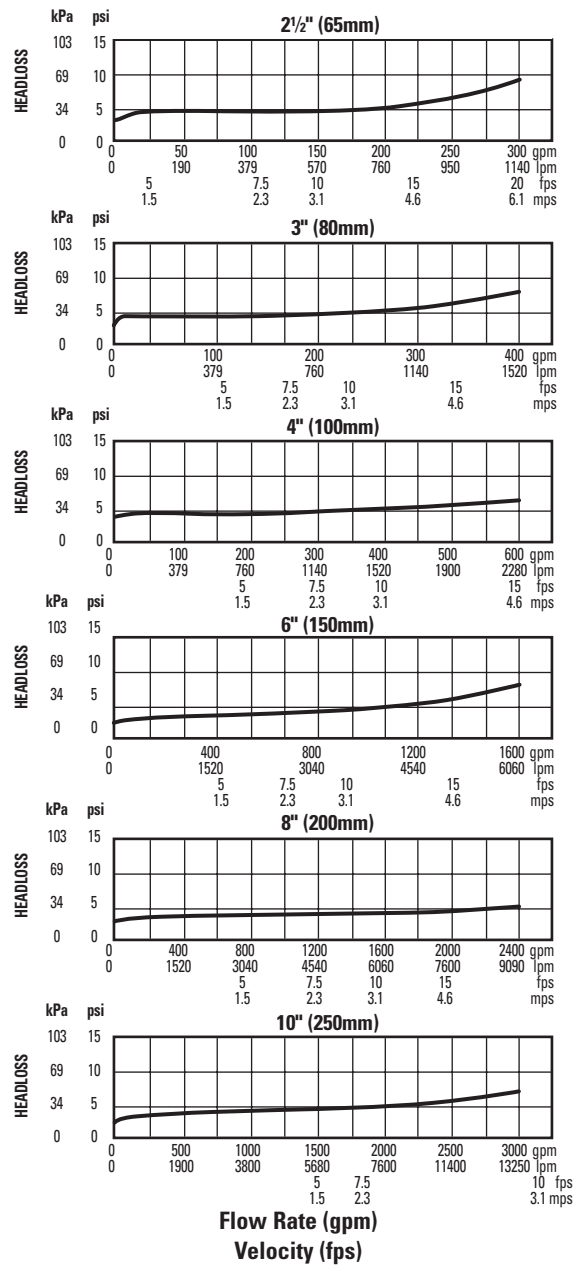
FEBCO product specifications in U.S. customary units and metric are approximate and are provided for reference only. For precise measurements, please contact FEBCO. FEBCO reserves the right to change or modify product design, construction, specifications, or materials without prior notice and without incurring any obligation to make such changes and modifications on FEBCO products previously or subsequently sold.

## Installation

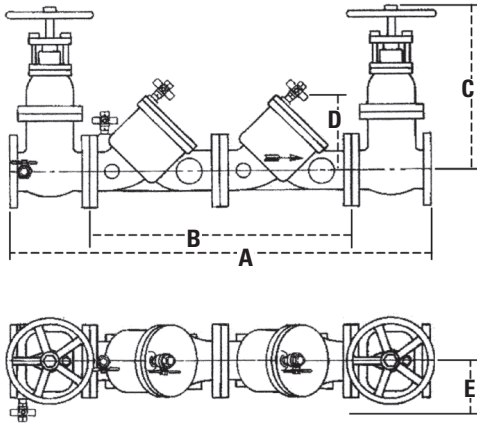
Model 805YD Double Check Backflow Preventers should be installed with adequate clearance and easy accessibility for testing and maintenance and must be protected from freezing. The assembly may be installed horizontally or vertically with flow up. Refer to local codes for specific installation requirements. Some codes may prohibit vertical installations. Larger sizes should be installed horizontally for ease of service. Thermal water expansion and/or water hammer down stream of the backflow preventer can cause excessive pressure. Excessive pressure situations should be eliminated to avoid possible damage to the system and assembly.



## Capacity



## Dimensions – Weights



Size: 2 1/2" - 10" (65 - 250mm)

SIZE (DN)		DIMENSIONS								WEIGHT					
in.	mm	A		B		C (NRS)		C (OS&Y)		D		E		lbs.	kgs.
		in.	mm	in.	mm	in.	mm	in.	mm	in.	mm	in.	mm		
2 1/2	65	37 1/16	945	22 1/16	560	12 5/8	321	16 5/8	416	7 1/2	191	5 1/4	133	230	104.3
3	80	41 11/16	1059	25 1/16	649	12 7/8	327	22 1/4	565	8 1/16	205	6	152	240	108.9
4	100	50 7/16	1281	32 5/16	821	14 3/8	365	23 3/4	591	11	279	6 3/4	172	390	176.9
6	150	59 11/16	1516	38 3/16	980	18 7/8	479	30 1/8	765	14	356	8 1/4	210	675	306.2
8	200	69 3/16	1757	46 1/16	1170	23 1/2	597	37 3/4	959	18	457	9 1/2	241	1130	512.6
10	250	84 3/16	2138	58 1/16	1475	27 1/2	699	48	1219	22	559	10 1/2	267	1530	694.0

Dimensions shown are nominal, allowance must be made for normal manufacturing tolerances.



A Watts Water Technologies Company



USA: 4381 N. Brawley • Ste. 102 • Fresno, CA • 93722 • Tel. (559) 441-5300 • Fax: (559) 441-5301 • www.FEBCOonline.com  
 Canada: 5435 North Service Rd. • Burlington, ONT. • L7L 5H7 • Tel. (905) 332-4090 • Fax: (905) 332-7068 • www.FEBCOonline.ca