

SPECIFICATION SHEET



Series AGD

Air Gap Drains for Use With 825Y, 825YD and 826YD Reduced Pressure Devices

AGD-Y: 3/4" - 2" (20mm - 50mm) / PN 905082

AGD-L: 2 1/2" - 10" (65mm - 250mm) / PN 905083

Features

- Reduces amount of water splashing in area around reduced pressure assemblies.
- Funnels minor relief valve discharge into drain.
- Conforms to air gap installation requirements.

Operation

The FEBCO Air Gap Drain is designed to be installed under the 825Y 3/4" - 2" (20 - 50mm) and 825YD 2 1/2" - 10" (65 - 250mm) reduced pressure assemblies to catch minor relief valve discharge due to pressure fluctuations and/or minor check valve fouling.

NOTE: The gap drain is not designed to catch the maximum discharge possible from the relief valve. The installation of FEBCO air gap with the drain line terminating above a floor drain will handle any normal discharge or nuisance spitting through the relief valve. However, floor drain size may need to be designed to prevent water damage caused by a catastrophic failure condition. Do not reduce the size of the drain line from the air gap fitting.

Specifications

The air gap drain shall be corrosion resistant material with stainless steel mounting fasteners. The drain must be of a design that allows mounting by attachment of the drain to the relief valve of a reduced pressure assembly.

The air gap drain shall be FEBCO Series AGD or prior approved equal.

NOTE: Consult local codes to insure drain installation meets all requirements.

Dimensions – Weights

Size: 3/4" - 10" (20 - 250mm)

SIZE (DN)		DIMENSIONS						WEIGHTS	
in.	mm	A		B		C	lbs.	kgs.	
		in.	mm	in.	mm.	in.			
3/4 - 1 1/4	20 - 32	6 1/2	165	2	51	1" Pipe	.12	.05	
1 1/2 - 2	40 - 50	7 1/2	191	2 3/4	70	1" Pipe	.12	.05	
2 1/2	65	12 1/4	311	5 3/4	146	2" NPT	7	3.2	
3	80	12 1/2	318	5 3/4	146	2" NPT	7	3.2	
4	100	12 3/4	324	5 3/4	146	2" NPT	7	3.2	
6	150	13	330	5 3/4	146	2" NPT	7	3.2	
8	200	13 1/2	343	5 3/4	146	2" NPT	7	3.2	
10	250	13 3/4	349	5 3/4	146	2" NPT	7	3.2	

Note: Dimensions are nominal. Allowances must be made for normal manufacturing tolerances.

Job Name _____

Job Location _____

Engineer _____

Approval _____

Contractor _____

Approval _____

Contractor's P.O. No. _____

Representative _____



Materials

Funnel: Corrosion resistant

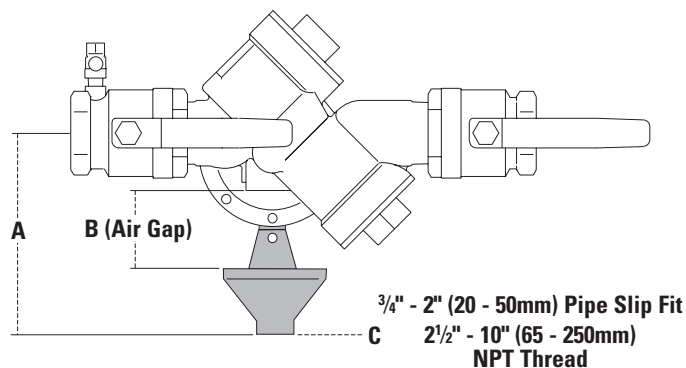
Mounting Fasteners: Stainless Steel

Typical Installation

CAUTION: This drain is intended to catch minor relief valve discharges due to line pressure fluctuations and minor check valve fouling. Under certain conditions relief valves can discharge water at rates significantly greater than the drain capacity.

1. Before installation check local codes. This type of drain may not be approved for use in some areas.
2. After installation of RP device and piping, attach drain funnel onto pipe. Do not use the RP device to support the drain pipe weight.
3. Sizes: 3/4", 1", & 1 1/4" (20, 25, 32mm): Attach funnel with the shorter bolt by threading through the funnel into the tapped hole in the relief valve body.

Sizes: 1 1/2" and 2" (40 & 50mm): Replace the lower cover bolt with the supplied long (relieve all pressure in the device before removing the cover bolt). Attach spacer to funnel using smaller bolt and nut. Position funnel/spacer over the protruding bolt end and secure with the supplied nut.



ISO 9001-2000
CERTIFIED



FEBCO product specifications in U.S. customary units and metric are approximate and are provided for reference only. For precise measurements, please contact FEBCO Technical Service. FEBCO reserves the right to change or modify product design, construction, specifications, or materials without prior notice and without incurring any obligation to make such changes and modifications on FEBCO products previously or subsequently sold.



USA: 4381 N. Brawley • Ste. 102 • Fresno, CA • 93722 • Tel. (559) 441-5300 • Fax: (559) 441-5301 • www.FEBCOonline.com

Canada: 5435 North Service Rd. • Burlington, ONT. • L7L 5H7 • Tel. (905) 332-4090 • Fax: (905) 332-7068 • www.FEBCOonline.ca

A Watts Water Technologies Company